

## Quality Irrigation Products



UMC is a ISO 9001:2015  
Certified Company



# UMC®

[www.umcproducts.com](http://www.umcproducts.com)

2920 Airway Ave, Costa Mesa, Ca. 92626  
phone: 714.437.9600 fax: 714.437.9700

## Center Drive Gearbox



### CD-1 Vertical Worm Gear Center Drive

Designed for use with the UMC® C-Face Center Drive Motor

The UMC® CD-1 worm gear center drive is a replacement center drive gearbox for older systems equipped with vertical worm gear center drives.

Part Number	Gear Ratio	Output RPM
09333-152A	30:1	58 / 48
09333-153A	40:1	43 / 36
09333-151A	50:1	34 / 28
09333-154A	60:1	29 / 24

## Features and Benefits

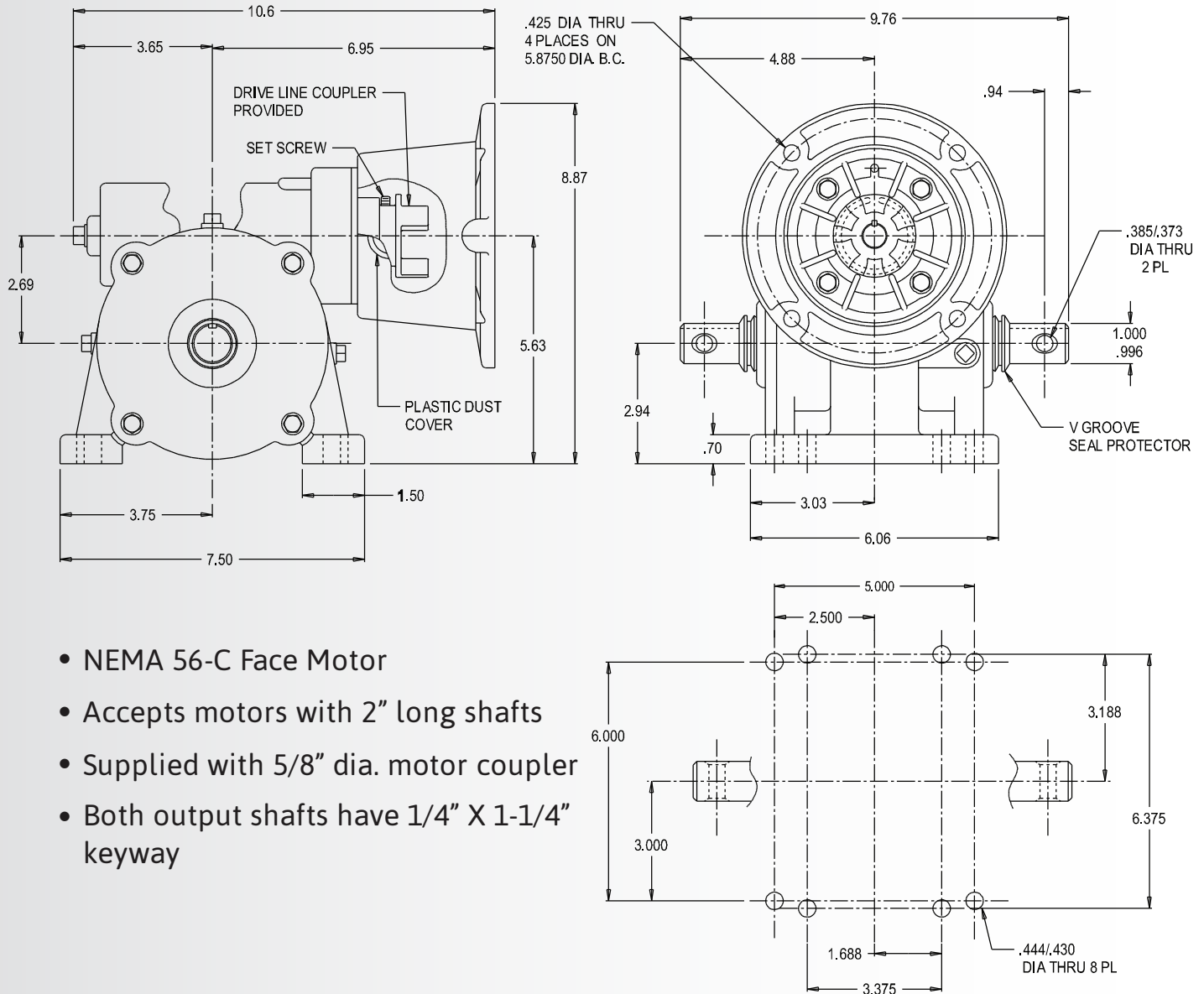
The UMC® CD-1 worm gear center drive features 56C frame interface and spider coupler that allows for mounting a C-Face motor to the gearbox.

- ▶ Precision die cast aluminum housing  
Oil fill, drain and level plugs for easy maintenance
- ▶ High strength aluminum bronze bull gear
- ▶ Multiple mounting patterns: 5" x 6" and 3-3/8" x 6-3/8"
- ▶ Painted for added corrosion resistance
- ▶ Seals savers on output to protect oil seals

[sales@umcproducts.com](mailto:sales@umcproducts.com)

# Universal Motion Components®

## Dimensional Drawing Center Drive (CD-1)



- NEMA 56-C Face Motor
- Accepts motors with 2" long shafts
- Supplied with 5/8" dia. motor coupler
- Both output shafts have 1/4" X 1-1/4" keyway

[sales@umcproducts.com](mailto:sales@umcproducts.com)



Universal Motion Components, Co. Inc.  
2920 Airway Ave, Costa Mesa, Ca. 92626  
Phone - 714-437-9600 Fax - 714-437-9700  
Web - <http://www.umcproducts.com>  
E-mail - [sales@umcproducts.com](mailto:sales@umcproducts.com)