

# Universal Motion Components

## Quality Irrigation Products



UMC is a ISO 9001:2015  
Certified Company



# UMC

[www.umcproducts.com](http://www.umcproducts.com)

2920 Airway Ave, Costa Mesa, Ca. 92626  
phone: 714.437.9600 fax: 714.437.9700

## Final Drive Gearbox



### Features and Benefits

The patent pending UMC® 765-UV™ gearbox is our largest and most durable and high performance gearbox with a 52:1 gear ratio. It is a direct replacement for its predecessor, the 760-UV™, and features several improvements that enhance load capacity, gear life and seal life.

- ▶ 2.50" diameter extended steel output shaft
- ▶ 52:1 gear ratio with a 25° pressure angle and full recess action gear design
- ▶ Cartridge input and output seals
- ▶ Patent Pending Vented Internal Diaphragm with large expansion cavity for near zero psi pressure accumulation which increases seal life and reduces oil leaks

### 765-UV™ Gearbox

**Designed for heavy spans, extreme conditions, corner systems, and lateral / linear carts**

The UMC® 765-UV™ gearbox is designed for use on center pivots and lateral / linear irrigation systems. It is typically used for the most extreme conditions and applications such as corner systems, lateral carts and heavy towers. It is the ideal choice for areas where extreme field conditions exist and/or machines run high annual hours of operation. It is also a direct replacement for competitive brands that use 52:1 gearboxes as standard on their machines.

Part Number	Ratio
10162-105A	52:1

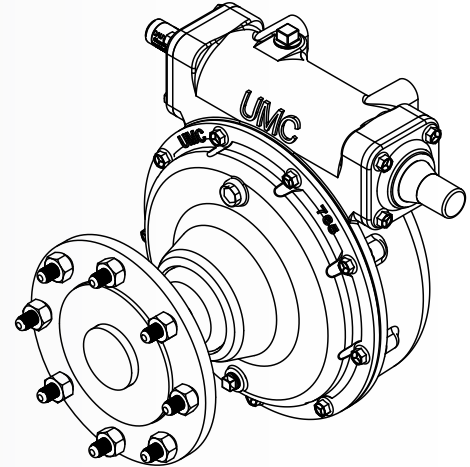
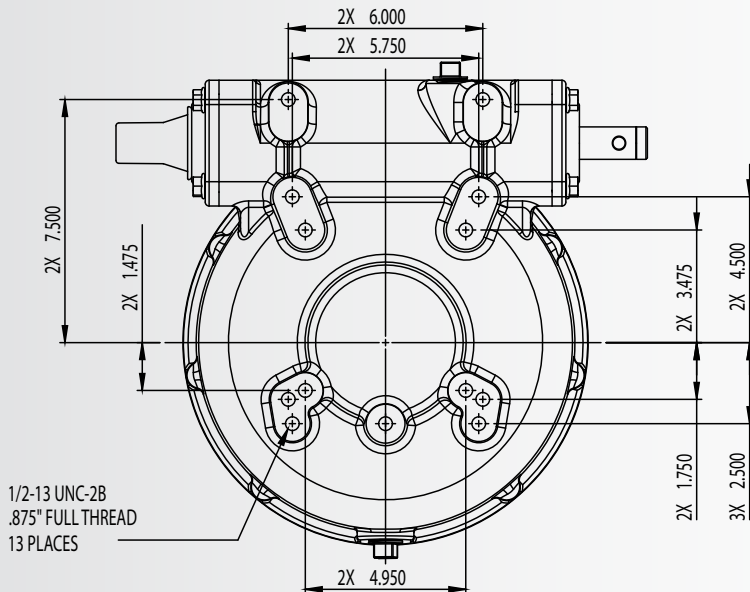
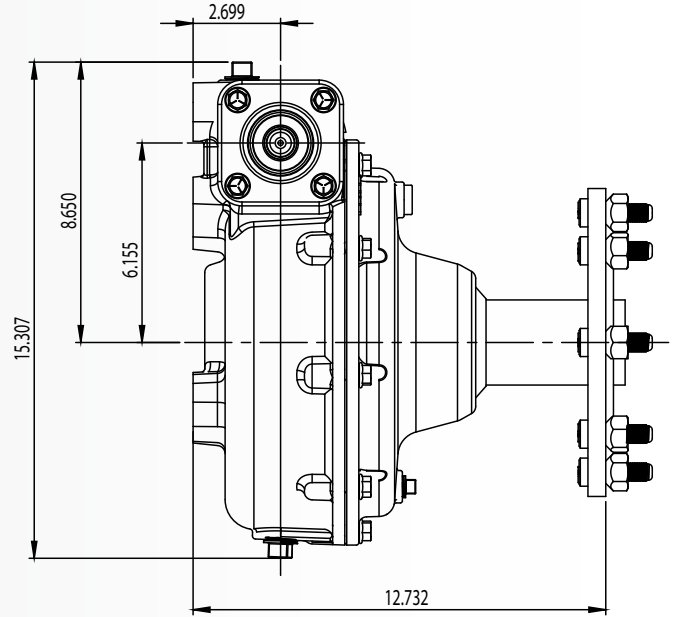
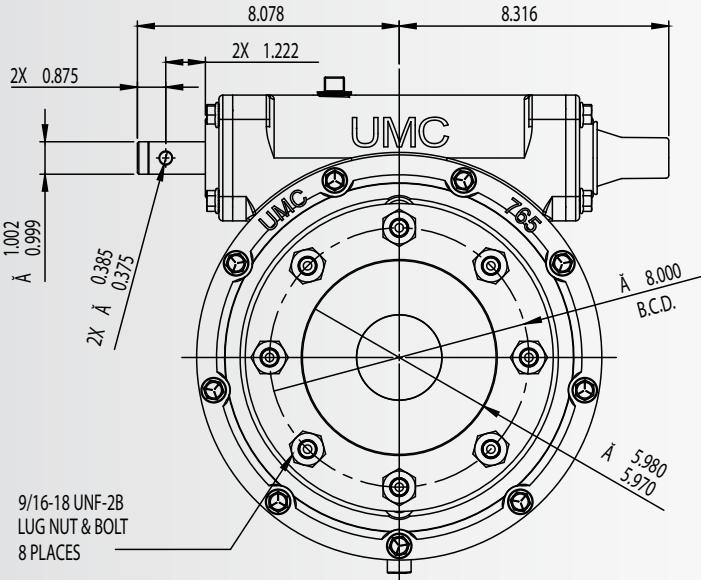
- ▶ Enhanced gear material that increases load capacity, reduces gear wear and lowers operating temperatures, extending gear life
- ▶ 13-Bolt mounting pattern
- ▶ External seal protectors for input and output seals
- ▶ Largest output bearings in the industry
- ▶ Dual ended input shaft with a hub cap for the unused end  
Top oil fill plug
- ▶ Filled with extreme pressure worm gear oil  
Extra long carriage bolts allow use with reinforced rims
- ▶ Bronze gear optional

[sales@umcproducts.com](mailto:sales@umcproducts.com)

# Universal Motion Components

Dimensional Drawing

## 765-UV™ Final Drive Gearbox



Fits most Lindsay, Valmont, Reinke, and Pierce systems.

[sales@umcproducts.com](mailto:sales@umcproducts.com)



Universal Motion Components, Co. Inc.  
2920 Airway Ave, Costa Mesa, Ca. 92626  
Phone - 714-437-9600 Fax - 714-437-9700  
Web - <http://www.umcproducts.com>  
E-mail - [sales@umcproducts.com](mailto:sales@umcproducts.com)