

Quality Irrigation Products



UMC is a ISO 9001:2015
Certified Company



UMC®

www.umcproducts.com

2920 Airway Ave, Costa Mesa, Ca. 92626
phone: 714.437.9600 fax: 714.437.9700

Final Drive Gearbox



Planetary

Hydrostatically driven Planetary gearbox for T-L center pivots and linears

The UMC® Planetary gearbox is a direct replacement for T-L Planetary gearboxes. It is designed for use on T-L center pivots and linear irrigation systems that are hydrostatically driven.

Part Number	Gear Ratio
09760-115A	68:1
09760-115B	24:1

Features and Benefits

The UMC® Planetary gearbox is available in a 24:1 and 68:1 gear ratio and is roughly 90% efficient. The gearbox comes standard as quick acting enabling one to easily disengage the input shaft if towing is required.

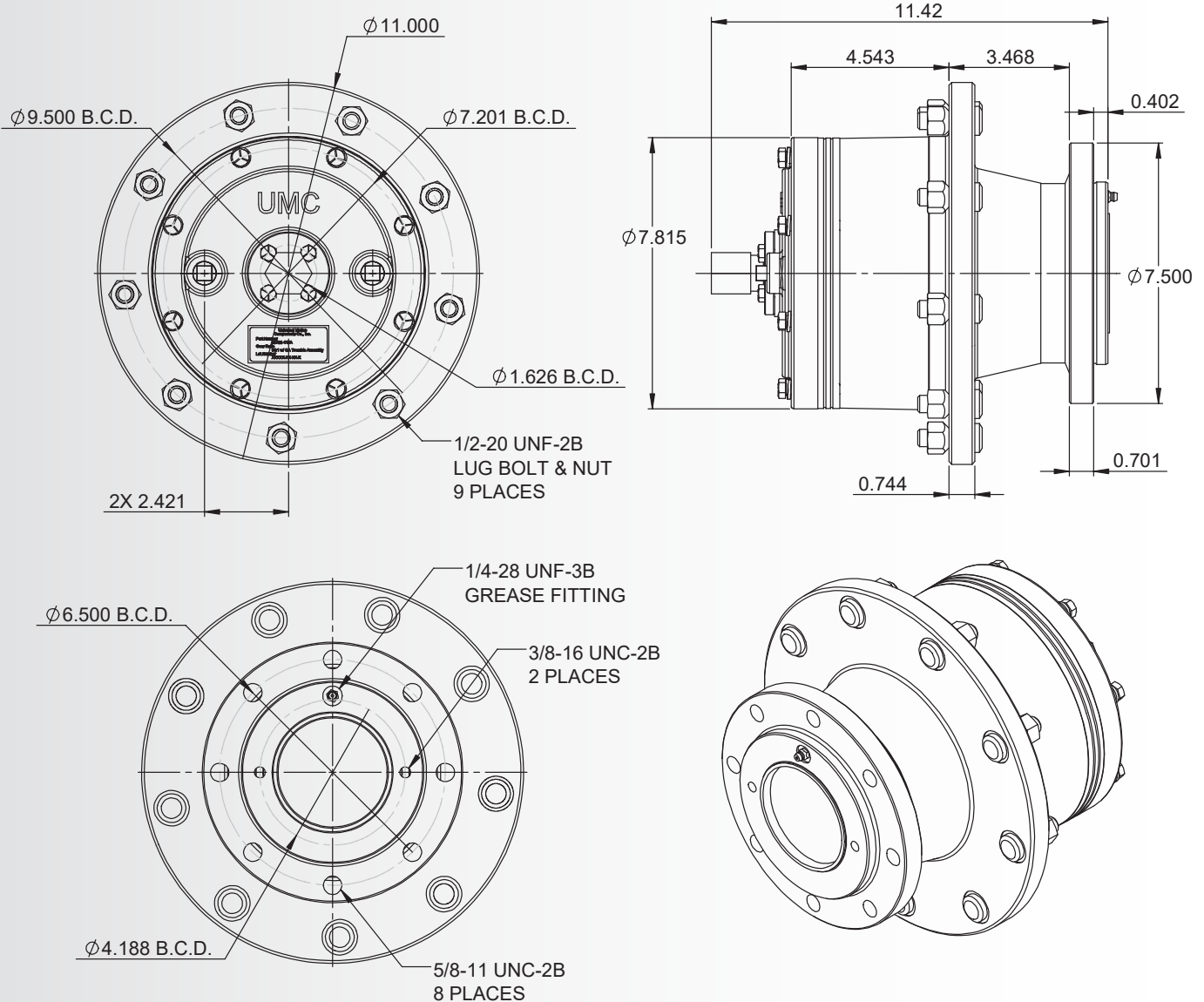
- ▶ Direct replacement for T-L Planetaries
- ▶ Hydraulic input for direct motor coupling
- ▶ Quick acting is standard for more versatility
- ▶ 24:1 or 68:1 gear ratio
- ▶ 9-bolt wheel flange pattern
- ▶ Peak output torque of 66,200 in-lbs
- ▶ Filled with lithium grease



sales@umcproducts.com

Universal Motion Components®

Dimensional Drawing Planetary Final Drive Gearbox



sales@umcproducts.com



www.umcproducts.com



Universal Motion Components, Co. Inc.
2920 Airway Ave, Costa Mesa, Ca. 92626
Phone - 714-437-9600 Fax - 714-437-9700
Web - <http://www.umcproducts.com>
E-mail - sales@umcproducts.com