

Quality Irrigation Products



UMC®



UMC is a ISO 9001:2015
Certified Company

www.umcproducts.com

2920 Airway Ave, Costa Mesa, Ca. 92626
phone: 714.437.9600 fax: 714.437.9700



Center Drive Gear Motor

Power Saver® 4

The most advanced center drive in the industry

The Standard UMC® Power Saver® 4 is our newest high performance helical center drive designed for use on center pivots and lateral / linear irrigation systems. It is a direct replacement for its predecessor, the Power Saver® 3.5, and has several new features that set it apart from every other center drive in the industry.

Part Number	Output RPM
06169-101G	14 / 11 RPM
06169-101Q	29 / 24 RPM
06169-101H	34 / 28 RPM
06169-101A	43 / 36 RPM
06169-101B	58 / 48 RPM
06169-101F	68 / 56 RPM
06169-101D	86 / 71 RPM

The Standard UMC® Power Saver® 4 center drive features an optimized helical gear design that offers longer life and quieter operation, cartridge output seals that eliminate shaft grooving and reduce oil leaks, and a single bolt junction box cover that makes installation and maintenance easier and faster. It is available with 7 output RPM options.

- ▶ Cartridge output seals eliminate shaft grooving and reduce oil leaks
- ▶ Single bolt junction box cover makes installation and maintenance easier and faster
- ▶ 95% efficient helical gear reduction
- ▶ 6 gear ratio options (20:1, 25:1, 30:1, 40:1, 50:1 and 60:1)
- ▶ Available with three 3-phase motor options
- ▶ CSA, CE, CCC and SASO certified motors
- ▶ IP 45 rated
- ▶ Aluminum finned stator for superior heat dissipation
- ▶ Motor drain holes protected by UMC's exclusive

- ▶ Spray Guard™ for superior spray protection
- ▶ Internally vented junction box protects motor lead connections from moisture
- ▶ Magnet wire to motor lead connections covered with Teflon tubing and encapsulated with P.D. caps for superior moisture protection
- ▶ Class H wire and Class F insulation
- ▶ Thermally protected motor with automatic reset located in the junction box
- ▶ Multi-bolt mounting pattern fits (3 3/8" x 6 3/8"), (4 3/4" x 7 1/4") and (5" x 6") bolt patterns
- ▶ Top oil fill plug positioned to set the correct oil level
- ▶ Integrated crop guard for coupler shields to nest and protect oil seals from crop wrapping and debris
- ▶ Seals savers on output to protect oil seals

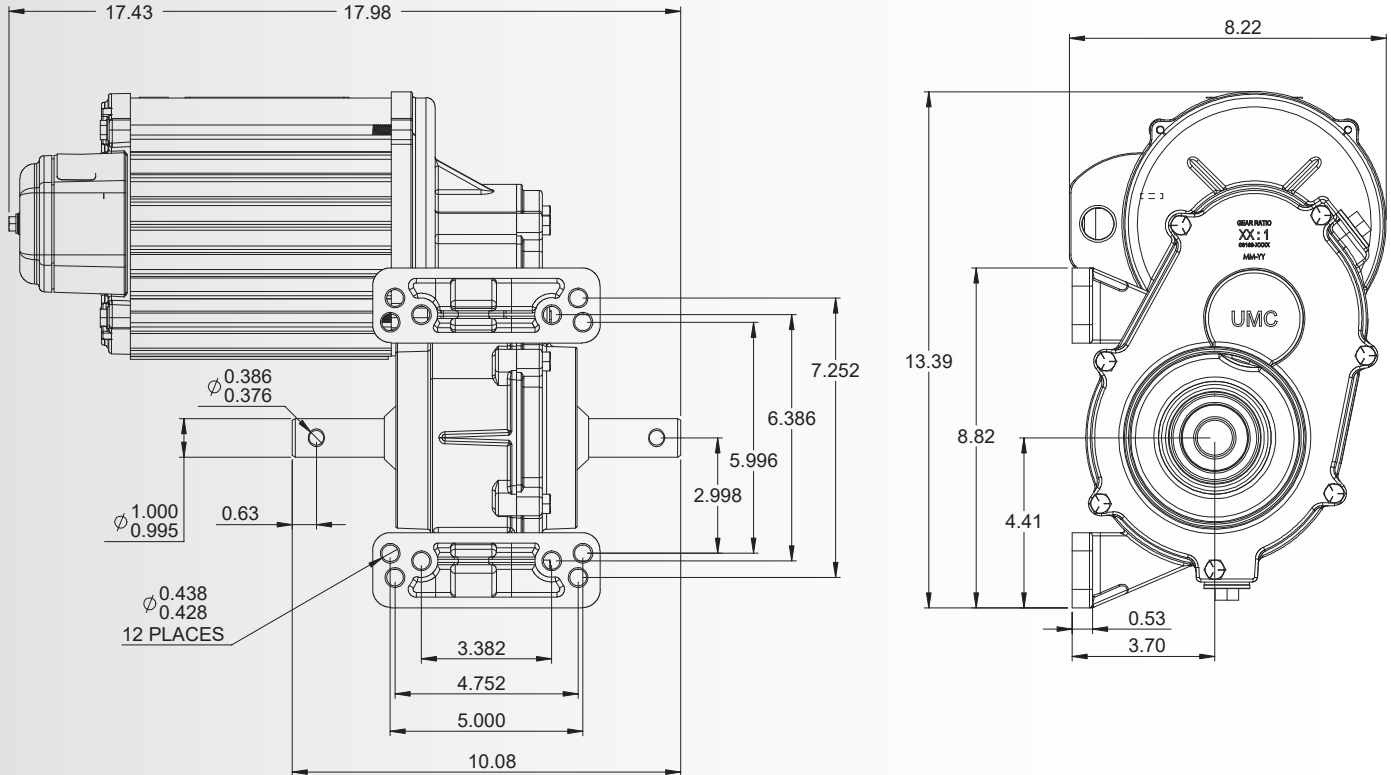
sales@umcproducts.com

Universal Motion Components®

Dimensional Drawing Power Saver 4 Electric Gearmotor



06169-101G 0.60HP
 06169-101Q 0.75HP
 06169-101H 0.75HP
 06169-101A 0.75HP
 06169-101B 1.50HP
 06169-101F 1.50HP
 06169-101D 1.50HP



Part Number	Gear Ratio	Motor HP	Service Factor	Volts AC	Frequency	Output RPM	Full Load AMP
06169-101G	60:1	0.60HP	1.0	460 / 380	60 / 50 Hz	14 / 11 RPM	1.6 / 1.7 A
06169-101Q	60:1	0.75HP	1.3	460 / 415 / 380	60 / 50 / 50 Hz	29 / 24 RPM	1.4 / 1.4 / 1.5 A
06169-101H	50:1	0.75HP	1.3	460 / 415 / 380	60 / 50 / 50 Hz	34 / 28 RPM	1.4 / 1.4 / 1.5 A
06169-101A	40:1	0.75HP	1.3	460 / 415 / 380	60 / 50 / 50 Hz	43 / 36 RPM	1.4 / 1.4 / 1.5 A
06169-101B	30:1	1.50HP	1.0	460 / 415 / 380	60 / 50 / 50 Hz	58 / 48 RPM	2.4 / 2.5 / 2.7 A
06169-101F	25:1	1.50HP	1.0	460 / 415 / 380	60 / 50 / 50 Hz	68 / 56 RPM	2.4 / 2.5 / 2.7 A
06169-101D	20:1	1.50HP	1.0	460 / 415 / 380	60 / 50 / 50 Hz	86 / 71 RPM	2.4 / 2.5 / 2.7 A

sales@umcproducts.com



www.umcproducts.com



Universal Motion Components, Co. Inc.
 2920 Airway Ave, Costa Mesa, Ca. 92626
 Phone - 714-437-9600 Fax - 714-437-9700
 Web - <http://www.umcproducts.com>
 E-mail - sales@umcproducts.com