

Universal Motion Components Co., Inc.

UMC® Spare Parts Manual

2019

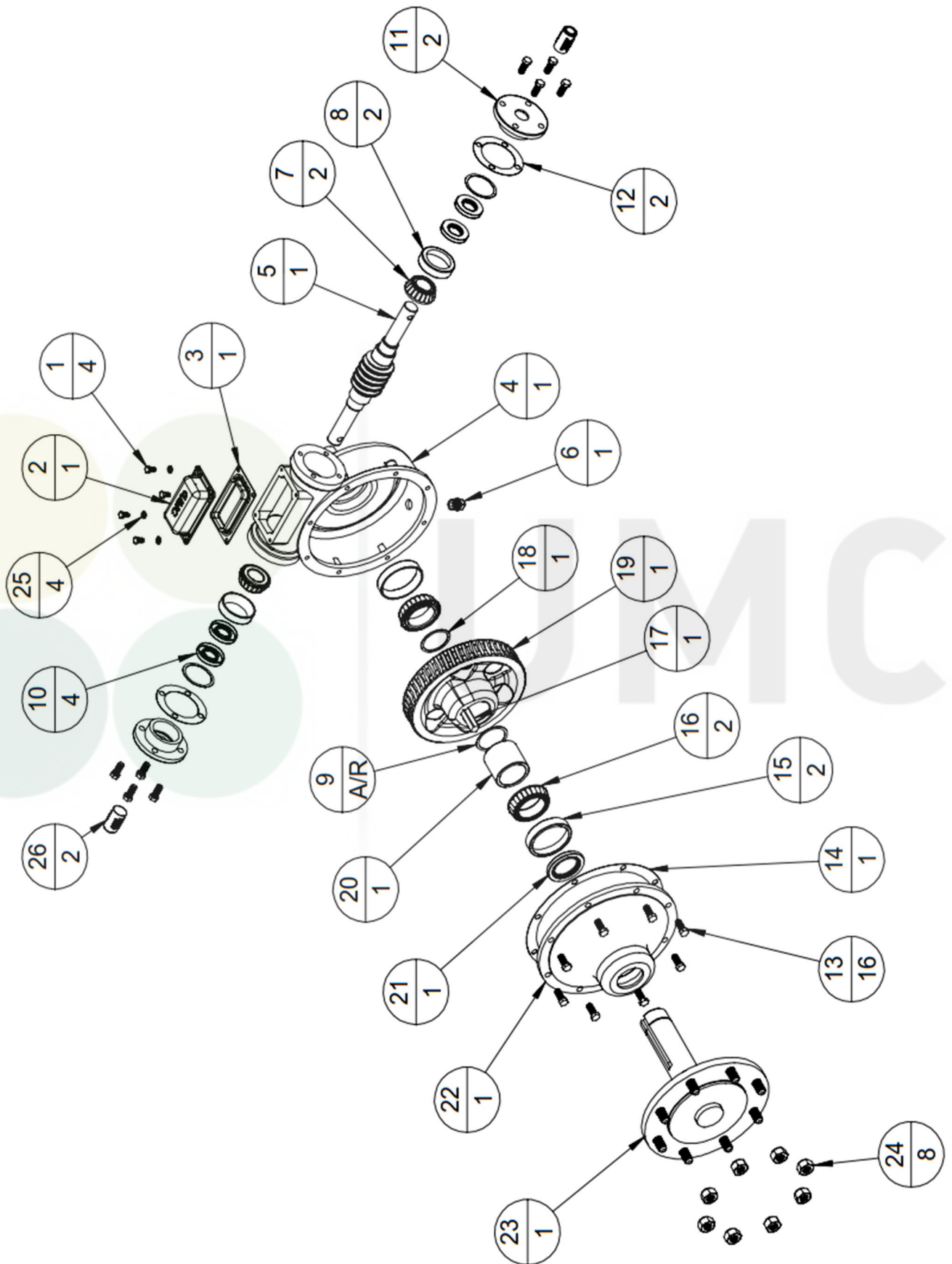


Universal Motion Components Co., Inc
4-22-2019

Table of Contents

UMC® Non-Towable Final Drive Gearboxes.....	2 - 37
UMC® Moderate Duty™ (50:1) Final Drive Gearbox.....	2 - 3
UMC® 725-U™ (50:1) Final Drive Gearbox.....	4 - 5
UMC® 740-U™ (50:1) Final Drive Gearbox.....	6 - 7
UMC® 740-U™ (50:1) Assembled in USA Final Drive Gearbox.....	8 - 9
UMC® 740-U-AD™ (50:1) Final Drive Gearbox.....	10 - 11
UMC® 740-U-AD™ (50:1) Assembled in USA Final Drive Gearbox.....	12 - 13
UMC® 740-U-UV™ (52:1) Final Drive Gearbox.....	14 - 15
UMC® 740-U-UV™ (52:1) Assembled in USA Final Drive Gearbox.....	16 - 17
UMC® 745-U™ (50:1) Final Drive Gearbox.....	18 - 19
UMC® 755-U-AD™ (50:1) Final Drive Gearbox.....	20 - 21
UMC® 755-UV™ (52:1) Final Drive Gearbox.....	22 - 23
UMC® 760-U™ (50:1) Final Drive Gearbox.....	24 - 25
UMC® 760-U™ Bronze (50:1) Final Drive Gearbox.....	26 - 27
UMC® 760-UV™ (52:1) Final Drive Gearbox.....	28 - 29
UMC® 760-UV™ Bronze (52:1) Final Drive Gearbox.....	30 - 31
UMC® 765-U-AD™ & 765-U™ Bronze (50:1) Final Drive Gearbox.....	32 - 33
UMC® 765-UV™ & 765-UV™ Bronze (50:1) Final Drive Gearbox.....	34 - 35
UMC® 775-U-AD™ (50:1) Final Drive Gearbox.....	36 - 37
UMC® Towable Final Drive Gearboxes.....	38 - 46
UMC® TNT-2-U™ (50:1) Final Drive Gearbox.....	38 - 39
UMC® TNT-2-U™ Bronze (50:1) Final Drive Gearbox.....	40 - 41
UMC® TNT-2-UV™ (52:1) Final Drive Gearbox.....	42 - 43
UMC® BT4-B™ Bolt-On Towable Hub.....	44 - 45
UMC® BT4-B™ Pin & Bracket Assembly.....	46
UMC® Power Saver® Center Drives.....	47 - 48
UMC® Power Saver® 3.5 Center Drive.....	47 - 48
UMC® Driveline Couplers.....	49 - 52
UMC® Standard Coupler.....	49 - 50
UMC® Universal CX™ Coupler.....	51 - 52

UMC[®] Moderate Duty™ (50:1) Final Drive Gearbox



UMC® Moderate Duty™ (50:1) Final Drive Gearbox Bill of Materials

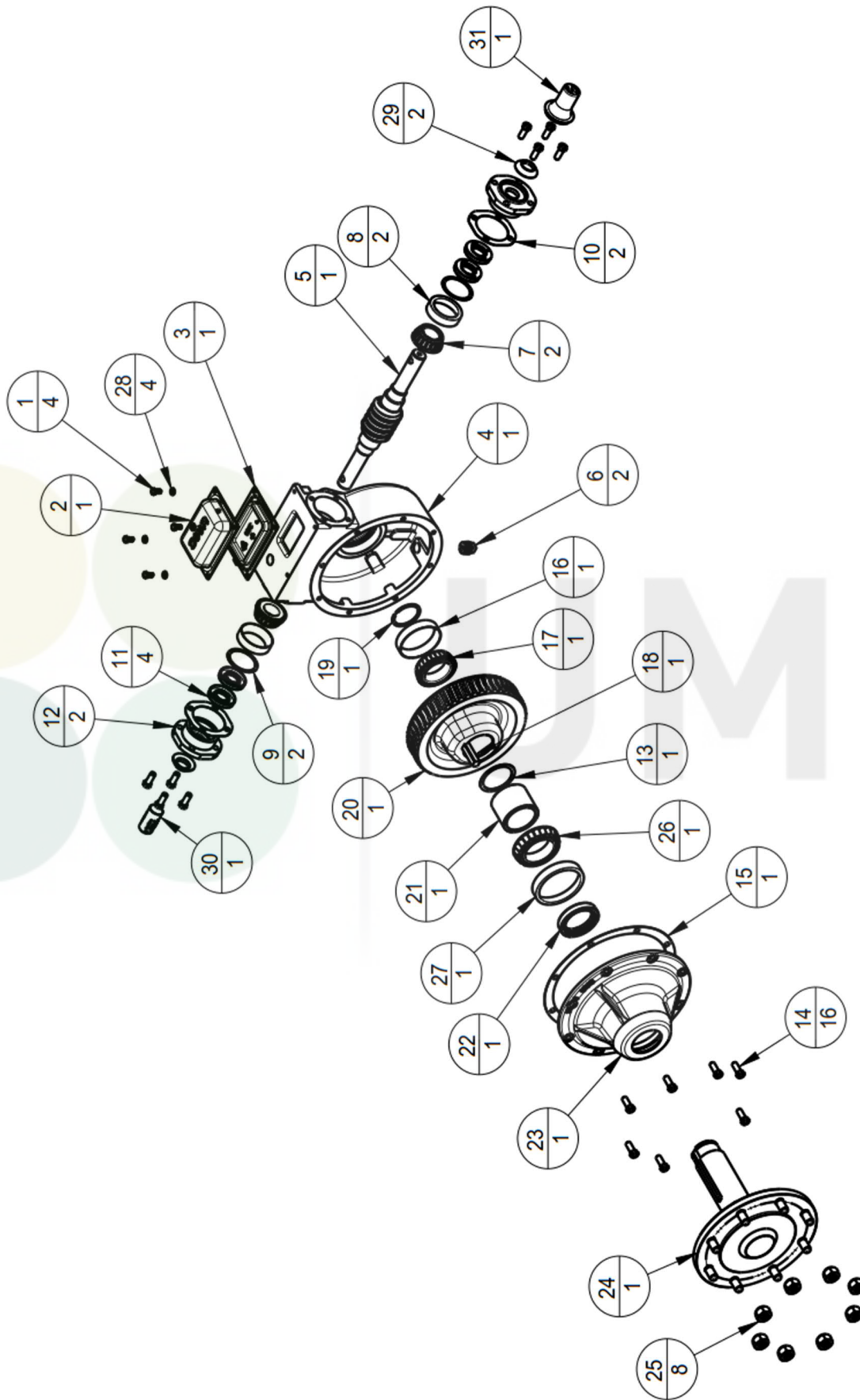
UMC® Moderate
Duty™

10148-105A

Item	UMC Part Number	Description	QTY / ASSY
1	04301-806A	SCREW, HX HD CAP	4
2	10148-204A	COVER, EXPANSION CHAMBER (SS)	1
3	10148-701A	DIAPHRAGM	1
4	10148-208A	HOUSING, MODERATE DUTY	1
5	06147-202A	WORM, 50:1	1
6	06141-803A	PLUG, PIPE 1/2" NPT	2
7	06141-804A	INPUT BEARING, CONE	2
8	06141-805A	INPUT BEARING, CUP	2
9	06141-209*	SHIM, INPUT SHAFT (VARIOUS SIZES)	A/R
10	06143-705A	SEAL, INPUT DOUBLE LIP	4
11	10148-203A	END CAP, MODERATE DUTY	2
12	10148-702A	GASKET, END CAP	2
13	06141-802A	SCREW, HEX HEAD	16
14	10148-703A	GASKET, COVER	1
15	06143-802A	OUTPUT BEARING, CUP	2
16	06141-806A	OUTPUT BEARING, CONE	2
17	06141-809A	GEAR KEY	1
18	06141-808A	RETAINING RING	1
19	10148-207A	GEAR, MODERATE DUTY 50:1	1
20	06143-203A	SHAFT SPACER	1
21	06143-708A	SEAL, OUTPUT DOUBLE LIP	1
22	10148-206A	COVER, MODERATE DUTY	1
23	06143-102A	SHAFT ASSEMBLY, OUTPUT	1
24	06142-801A	LUG NUT	8
25	06147-802A	WASHER, LOCK	4
26	06147-903A	OIL CHECK COVER, PVC SHAFT	2

Note: For maintenance instructions visit UMC's website: www.umcproducts.com/en/sales-service/parts-maintenance/

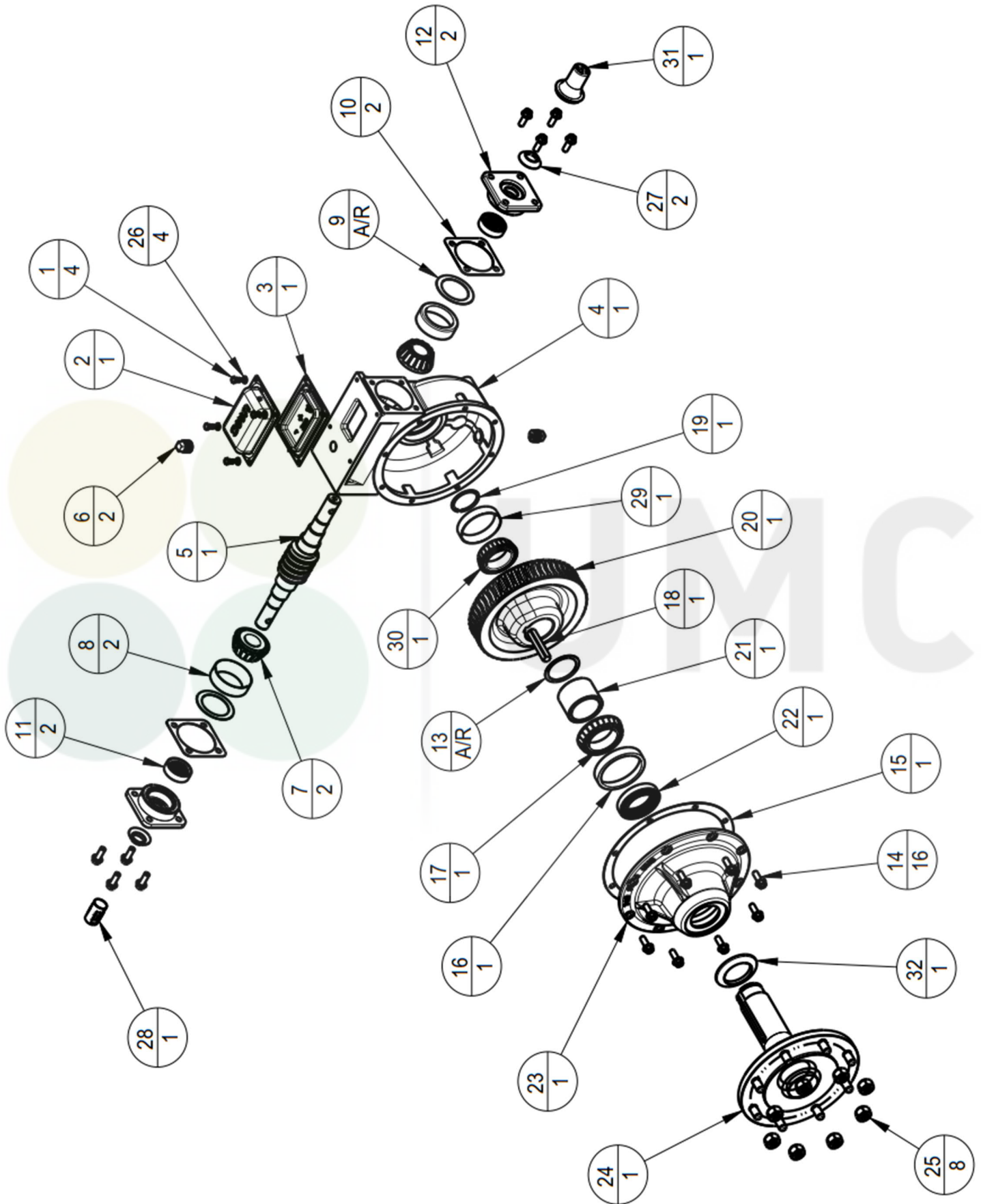
UMC[®] 725-U[™] (50:1) Final Drive Gearbox



UMC® 725-U™ (50:1) Final Drive Gearbox Bill of Materials			UMC® 725-U™
			06147-105A
Item	UMC Part Number	Description	QTY / ASSY
1	04301-806A	SCREW, HX HD CAP, 1/4-20 x .50" LG	4
2	06143-205D	COVER, EXPANSION CHAMBER (SS) UMC	1
3	06143-704A	DIAPHRAGM, EXPANSION CHAMBER	1
4	06147-228A	HOUSING, UMC 725	1
5	06147-202A	WORM GEAR, 50:1	1
6	06141-803A	PLUG, PIPE 1/2" NPT, BLK-OXIDE	2
7	06141-804A	INPUT BEARING, CONE 1.18750" ID (M86649)	2
8	06141-805A	INPUT BEARING, CUP 2.5312" OD (M86610)	2
9	06141-209*	SHIM, INPUT SHAFT (VARIOUS SIZES)	A/R
10	06147-704A	GASKET, END CAP	2
11	06143-705A	SEAL, INPUT, DOUBLE LIP, 1.00" x 2.00" x .325"	4
12	06147-204A	END CAP, 725	2
13	06145-203*	SHIM, OUTPUT (VARIOUS SIZES)	A/R
14	06141-802A	SCREW, HEX HEAD, 3/8-16 x 1" LG	16
15	06141-706A	GASKET, COVER	1
16	06143-802A	OUTPUT BEARING, CUP 3.2500" OD (LM104911)	1
17	06141-806A	OUTPUT BEARING, CONE 2.0000" ID CUSTOM	1
18	06141-809A	GEAR KEY	1
19	06141-808A	RETAINING RING	1
20	06147-209A	BULL GEAR, 50:1	1
21	06149-205A	SHAFT SPACER	1
22	06145-701E	SEAL, OUTPUT, TRIPLE LIP, 2.250" x 3.000" x .590"	1
23	10740-220B	COVER, 725	1
24	06147-104A	SHAFT ASSEMBLY, OUTPUT	1
25	06142-801A	LUG NUT	8
26	06145-802A	OUTPUT BEARING, CONE 2.2500" ID (387A)	1
27	06145-801A	OUTPUT BEARING, CUP 3.8125" OD (382A)	1
28	06147-802A	LOCK WASHER	4
29	06147-707A	SEAL SAVER, INPUT	2
30	06147-903B	OIL CHECK COVER, PVC SHAFT	1
31	10141-226A	GUARD, SHAFT INPUT (HUBCAP)	1

Note: For maintenance instructions visit UMC's website: www.umcproducts.com/en/sales-service/parts-maintenance/

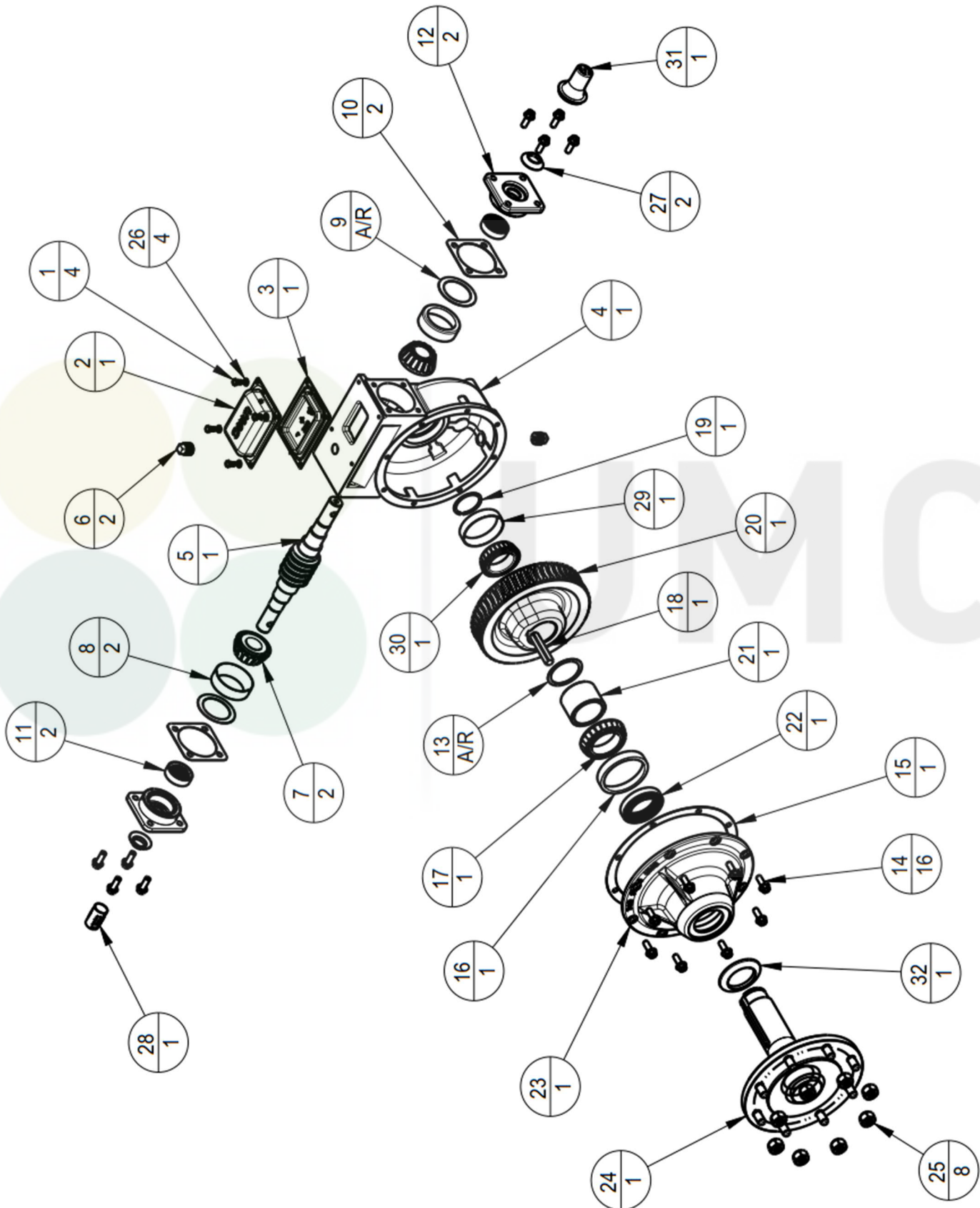
UMC® 740-U™ (50:1) Final Drive Gearbox



UMC® 740-U™ (50:1) Final Drive Gearbox Bill of Materials			UMC® 740-U™
			10141-105A
Item	UMC Part Number	Description	QTY / ASSY
1	04301-806A	SCREW, HX HD CAP, 1/4-20 x .50" LG	4
2	06143-205D	COVER, EXP CH (SS) UMC	1
3	06143-704A	DIAPHRAGM, RUBBER (STAMPED COVER)	1
4	10740-206A	HOUSING, UMC, 740-U SERIES	1
5	10141-202A	WORM GEAR, 50:1 740-U	1
6	06141-803A	PLUG, PIPE 1/2" NPT, BLK-OXIDE	2
7	10141-803A	INPUT BEARING, CONE 1.2500" ID	2
8	10141-802A	INPUT BEARING, CUP 3.0000" OD	2
9	10141-206*	SHIM, INPUT SHAFT (VARIOUS SIZES)	A/R
10	10141-701A	GASKET, END CAP	2
11	10141-715A	SEAL, INPUT CARTRIDGE	2
12	10141-208A	END CAP	2
13	06145-203*	SHIM, OUTPUT (VARIOUS SIZES)	A/R
14	10141-805A	SCREW, HEX HEAD FLANGE	16
15	10141-702A	GASKET, COVER	1
16	06145-801A	BEARING, CUP 3.8125" OD	1
17	06145-802A	BEARING, CONE 2.2500" ID	1
18	06141-809A	GEAR KEY	1
19	06141-808A	RETAINING RING	1
20	10141-212A	BULL GEAR, 50:1	1
21	10141-204A	SHAFT SPACER	1
22	10141-730E	SEAL, OUTPUT CARTRIDGE	1
23	10740-220A	COVER, 740	1
24	10141-102A	SHAFT ASSEMBLY, OUTPUT	1
25	06142-801A	LUG NUT	8
26	06147-802A	LOCK WASHER	4
27	06147-707A	SEAL SAVER, INPUT	2
28	06147-903A	OIL CHECK COVER, PVC SHAFT	1
29	06143-802A	BEARING, CUP 3.2500" OD	1
30	06141-806A	BEARING, CONE 2.0000" ID	1
31	10141-226A-NC	GUARD, SHAFT INPUT (HUBCAP)	1
32	10141-705A	SEAL SAVER, 2.25" OUTPUT	1

Note: For maintenance instructions visit UMC's website: www.umcproducts.com/en/sales-service/parts-maintenance/

UMC[®] 740-U[™] (50:1) Assembled in USA Final Drive Gearbox



UMC® 740-U™ (50:1) Assembled in USA Final Drive Gearbox Bill of Materials

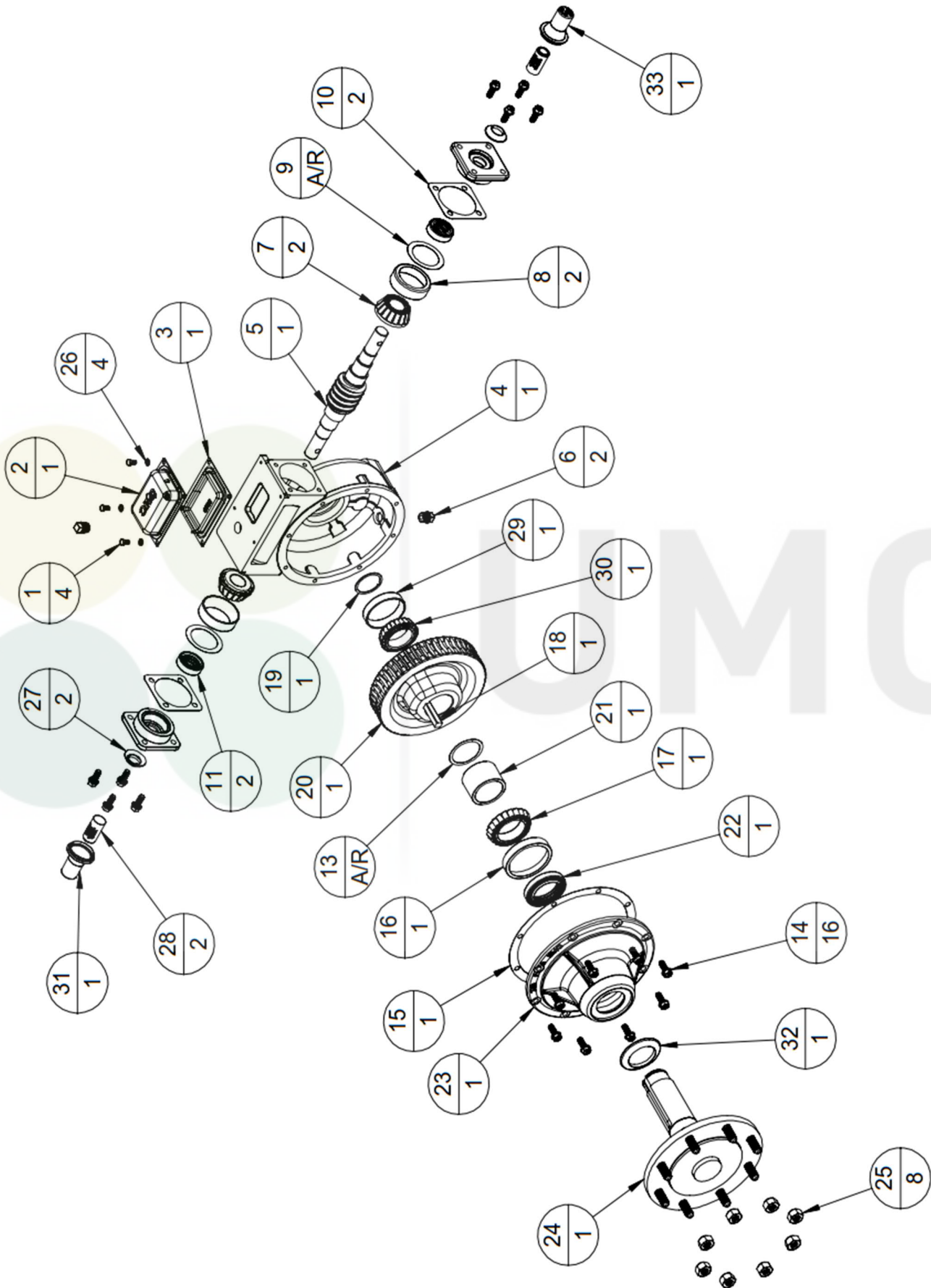
UMC® 740-U™ AUSA

10141-105A-U

Item	UMC Part Number	Description	QTY / ASSY
1	04301-806A	SCREW, HX HD CAP	4
2	06143-205D	COVER, EXP CH (SS) UMC	1
3	06143-704A	DIAPHRAGM, RUBBER (STAMPED COVER)	1
4	10740-216G	HOUSING, UMC 740-U SERIES	1
5	10141-202A	WORM, 50:1 740-U	1
6	06141-803A	PLUG, PIPE 1/2" NPT, BLK-OXIDE	2
7	10141-803A	BEARING, CONE 1.2500" ID	2
8	10141-802A	BEARING, CUP 3.0000" OD	2
9	10141-206*	SHIM, INPUT SHAFT (VARIOUS SIZES)	A/R
11	10141-715A	SEAL, INPUT CARTRIDGE	2
12	10141-208A	END CAP	2
13	06145-203*	SHIM, OUTPUT (VARIOUS SIZES)	A/R
14	10141-805A	SCREW, HEX HEAD FLANGE	16
16	06145-801A	BEARING, CUP 3.8125" OD	1
17	06145-802A	BEARING, CONE 2.2500" ID	1
18	06141-809A	GEAR KEY	1
19	06141-808A	RETAINING RING	1
20	10141-212A	GEAR, 740 50:1	1
21	10141-204A	SHAFT SPACER	1
22	10141-730E	SEAL, OUTPUT CARTRIDGE	1
23	10740-230A-U	COVER, GEARBOX AUSA	1
24	10141-102A-N	SHAFT ASSEMBLY, OUTPUT	1
25	06142-801A	LUG NUT	8
26	06147-802A	LOCK WASHER	4
27	06147-707A	SEAL SAVER, INPUT	2
28	06147-903A	OIL CHECK COVER, PVC SHAFT	2
29	06143-802A	BEARING, CUP 3.2500" OD	1
30	06141-806A	BEARING, CONE 2.0000" ID	1
31	10141-226A-NC	GUARD, SHAFT INPUT (HUBCAP)	1
32	10141-705A	SEAL SAVER, 2.25" OUTPUT	1

Note: For maintenance instructions visit UMC's website: www.umcproducts.com/en/sales-service/parts-maintenance/

UMC[®] 740-U-AD[™] (50:1) Final Drive Gearbox



UMC® 740-U-AD™ (50:1) Final Drive Gearbox Bill of Materials

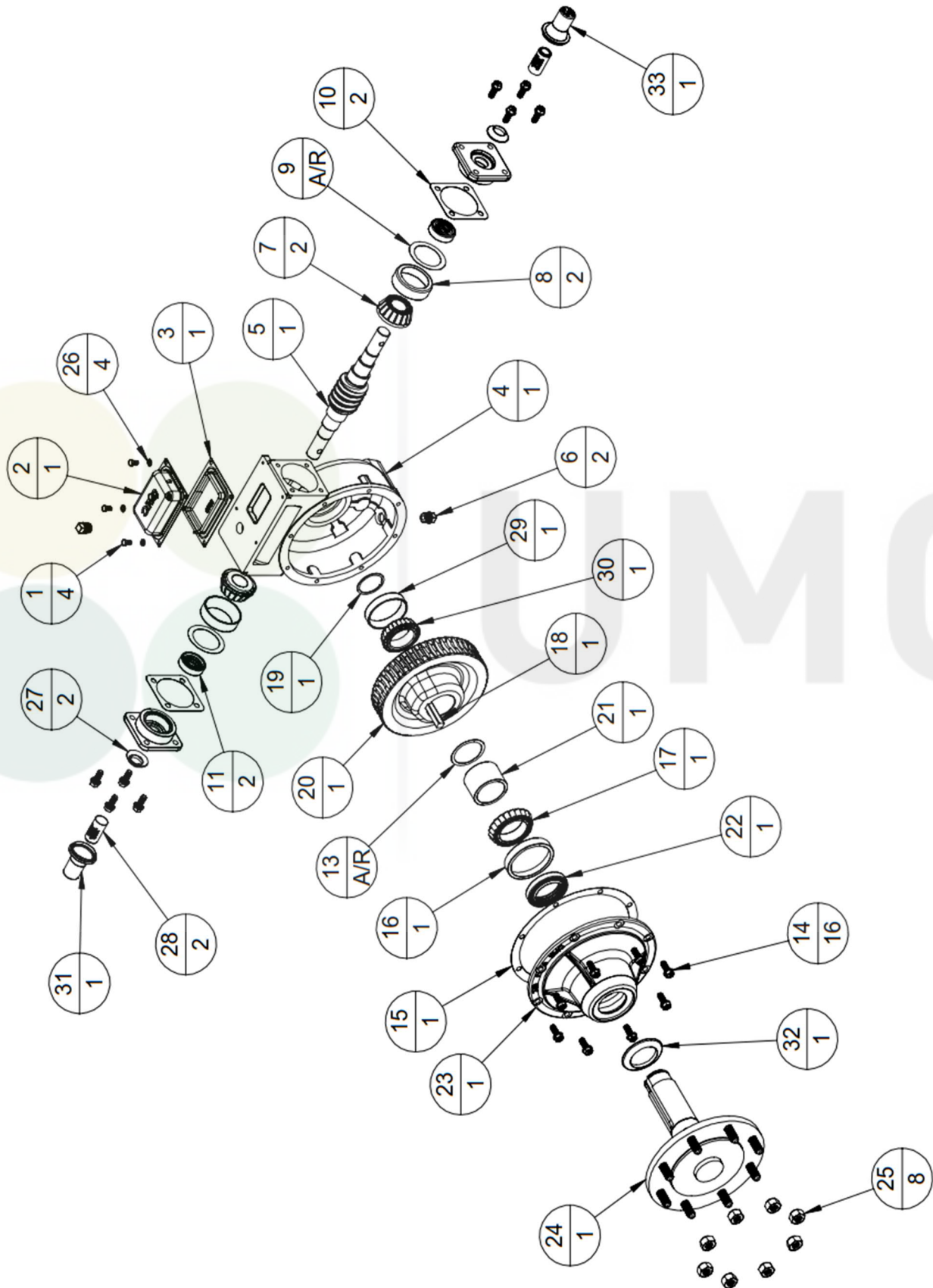
UMC® 740-U-AD™

10141-105VD

Item	UMC Part Number	Description	QTY / ASSY
1	04301-806A	SCREW, HX HD CAP, 1/4-20 x .50" LG	4
2	06143-205D	COVER, EXP CH (SS) UMC	1
3	06143-704A	DIAPHRAGM, RUBBER (STAMPED COVER)	1
4	10740-206V	HOUSING, UMC, 740-U SERIES	1
5	10141-202D	WORM, 50:1 740-U-AD	1
6	06141-803A	PLUG, PIPE 1/2" NPT, BLK-OXIDE	2
7	10141-803A	BEARING, CONE 1.2500" ID	2
8	10141-802A	BEARING, CUP 3.0000" OD	2
9	10141-206*	SHIM, INPUT SHAFT (VARIOUS SIZES)	A/R
10	10141-701A	GASKET, END CAP	2
11	10141-715A	SEAL, INPUT CARTRIDGE	2
12	10141-208A	END CAP	2
13	06145-203*	SHIM, OUTPUT (VARIOUS SIZES)	A/R
14	10141-805A	SCREW, HEX HEAD FLANGE	16
15	10141-702A	GASKET, COVER	1
16	06145-801A	BEARING, CUP 3.8125" OD	1
17	06145-802A	BEARING, CONE 2.2500" ID	1
18	06141-809A	GEAR KEY	1
19	06141-808A	RETAINING RING	1
20	10141-212A	GEAR, 740 50:1	1
21	10141-204A	SHAFT SPACER	1
22	10141-730E	SEAL, OUTPUT CARTRIDGE	1
23	10740-220A	COVER, GEARBOX	1
24	10141-102B	SHAFT ASSEMBLY, OUTPUT	1
25	06142-801A	LUG NUT	8
26	06147-802A	LOCK WASHER	4
27	06147-707A	SEAL SAVER, INPUT	2
28	06147-903B	OIL CHECK COVER, PVC SHAFT	2
29	06143-802A	BEARING, CUP 3.2500" OD	1
30	06141-806A	BEARING, CONE 2.0000" ID	1
31	10141-226A-NC	GUARD, SHAFT INPUT (HUBCAP)	1
32	10141-705A	SEAL SAVER, 2.25" OUTPUT	1

Note: For maintenance instructions visit UMC's website: www.umcproducts.com/en/sales-service/parts-maintenance/

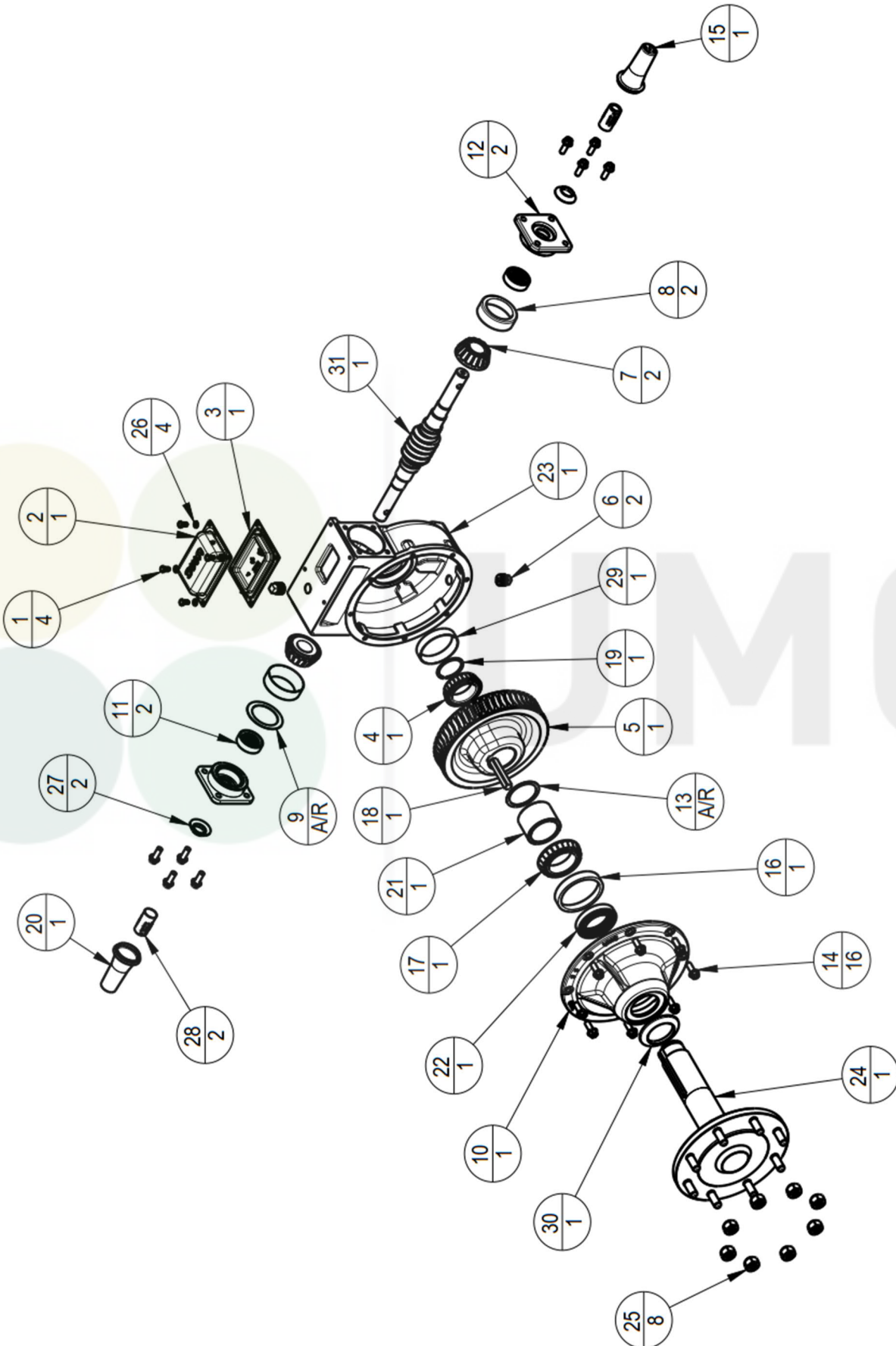
UMC® 740-U-AD™ (50:1) Assembled in USA Final Drive Gearbox



UMC® 740-U-AD™ (50:1) Assembled in USA Final Drive Gearbox Bill of Materials			UMC® 740-U-AD™ AUSA
			10141-105AD-U
Item	UMC Part Number	Description	QTY / ASSY
1	04301-806A	SCREW, HX HD CAP	4
2	06143-205D	COVER, EXP CH (SS) UMC	1
3	06143-704A	DIAPHRAGM, RUBBER (STAMPED COVER)	1
4	10740-216G	HOUSING, 13 BOLT UMC	1
5	10141-202D	WORM, 50:1 740-U-AD	1
6	06141-803A	PLUG, PIPE 1/2" NPT, BLK-OXIDE	2
7	10141-803A	BEARING, CONE 1.2500" ID	2
8	10141-802A	BEARING, CUP 3.0000" OD	2
9	10141-206*	SHIM, INPUT SHAFT (VARIOUS SIZES)	A/R
11	10141-715A	SEAL, INPUT CARTRIDGE	2
12	10141-208A	END CAP	2
13	06145-203*	SHIM, OUTPUT (VARIOUS SIZES)	A/R
14	10141-805A	SCREW, HEX HEAD FLANGE	16
16	06145-801A	BEARING, CUP 3.8125" OD	1
17	06145-802A	BEARING, CONE 2.2500" ID	1
18	06141-809A	GEAR KEY	1
19	06141-808A	RETAINING RING	1
20	10141-212A	GEAR, 740 50:1	1
21	10141-204A	SHAFT SPACER	1
22	10141-730E	SEAL, OUTPUT CARTRIDGE	1
23	10740-230A-U	COVER, GEARBOX AUSA	1
24	10141-102A-N	SHAFT ASSEMBLY, OUTPUT	1
25	06142-801A	LUG NUT	8
26	06147-802A	LOCK WASHER	4
27	06147-707A	SEAL SAVER, INPUT	2
28	06147-903A	OIL CHECK COVER, PVC SHAFT	2
29	06143-802A	BEARING, CUP 3.2500" OD	1
30	06141-806A	BEARING, CONE 2.0000" ID	1
31	10141-226A-NC	GUARD, SHAFT INPUT (HUBCAP)	1
32	10141-705A	SEAL SAVER, 2.25" OUTPUT	1

Note: For maintenance instructions visit UMC's website: www.umcproducts.com/en/sales-service/parts-maintenance/

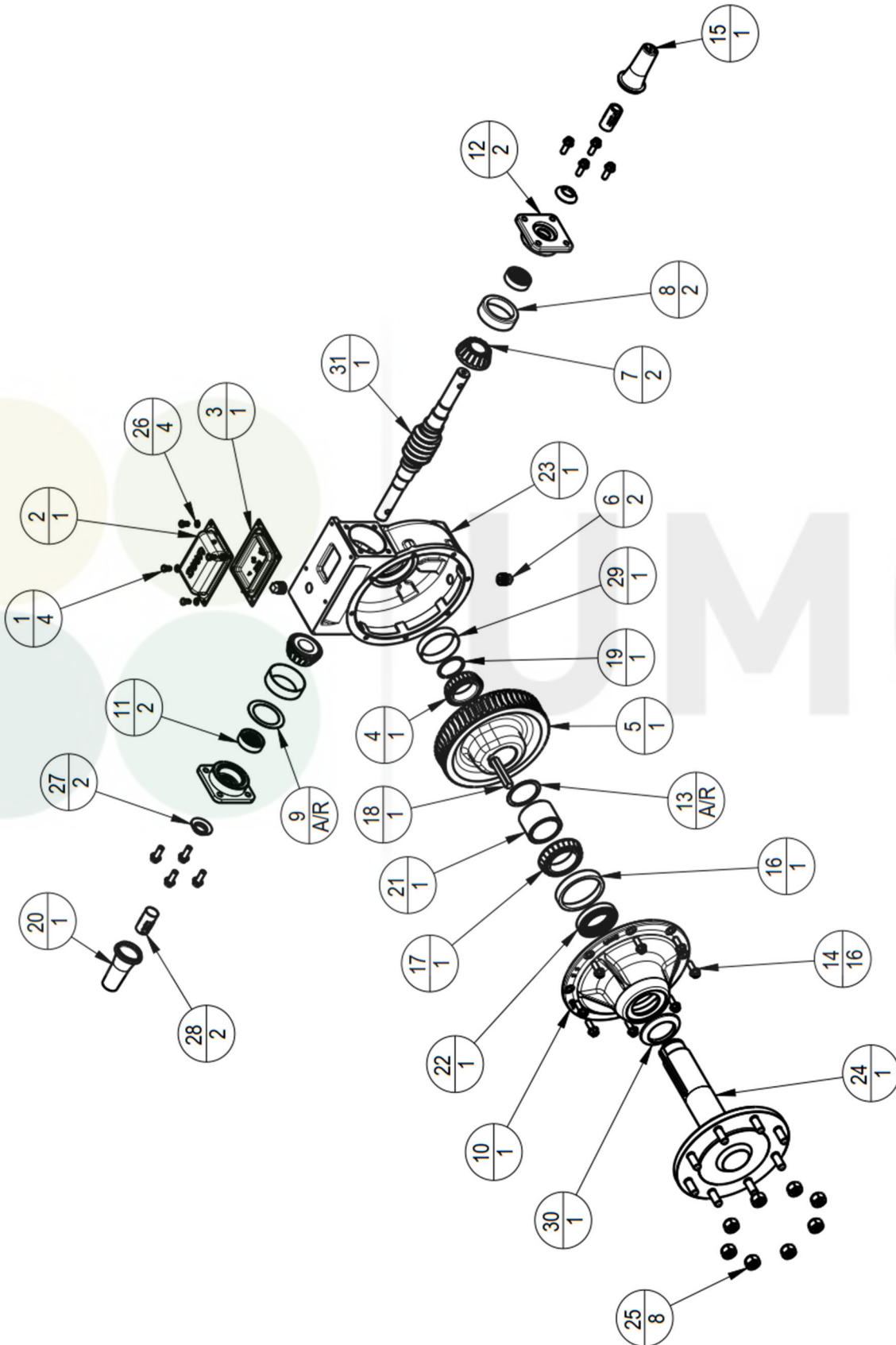
UMC® 740-UV™ (52:1) Final Drive Gearbox



UMC® 740-UV™ (52:1) Final Drive Gearbox Bill of Materials			UMC® 740-UV™
			10141-106AD
Item	UMC Part Number	Description	QTY / ASSY
1	04301-806A	SCREW, HX HD CAP, 1/4-20 x .50" LG	4
2	06143-205D	COVER, EXP CH (SS) UMC	1
3	06143-704A	DIAPHRAGM, RUBBER (STAMPED COVER)	1
4	06141-806A	BEARING, CONE 2.0000" ID	1
5	10141-218DL	GEAR, 740 52:1	1
6	06141-803A	PLUG, PIPE 1/2" NPT, BLK-OXIDE	2
7	10141-803A	BEARING, CONE 1.2500" ID	2
8	10141-802A	BEARING, CUP 3.0000" OD	2
9	10141-206*	SHIM, INPUT SHAFT (VARIOUS SIZES)	A/R
10	10740-230A	COVER, GEARBOX	1
11	10141-715A	SEAL, INPUT CARTRIDGE	2
12	10141-208A	END CAP	2
13	06145-203*	SHIM, OUTPUT (VARIOUS SIZES)	A/R
14	10141-805A	SCREW, HEX HEAD FLANGE	16
15	10141-226B-NC	GUARD, SHAFT INPUT (HUBCAP)	1
16	06145-801A	BEARING, CUP 3.8125" OD	1
17	06145-802A	BEARING, CONE 2.2500" ID	1
18	06141-809A	GEAR KEY	1
19	06141-808A	RETAINING RING	1
20	10141-226B-NC	GUARD, SHAFT INPUT (HUBCAP)	1
21	10141-204A	SHAFT SPACER	1
22	10141-730E	SEAL, OUTPUT CARTRIDGE	1
23	10740-216G	HOUSING, 13 BOLT UMC	1
24	10141-112A	SHAFT ASSEMBLY, OUTPUT	1
25	06142-801A	LUG NUT	8
26	06147-802A	LOCK WASHER	4
27	06147-707A	SEAL SAVER, INPUT	2
28	06147-903C	OIL CHECK COVER, PVC SHAFT	2
29	06143-802A	BEARING, CUP 3.2500" OD	1
30	10141-705A	SEAL SAVER, 2.25" OUTPUT	1
31	10141-217D	WORM, 740-UV 52:1	1

Note: For maintenance instructions visit UMC's website: www.umcproducts.com/en/sales-service/parts-maintenance/

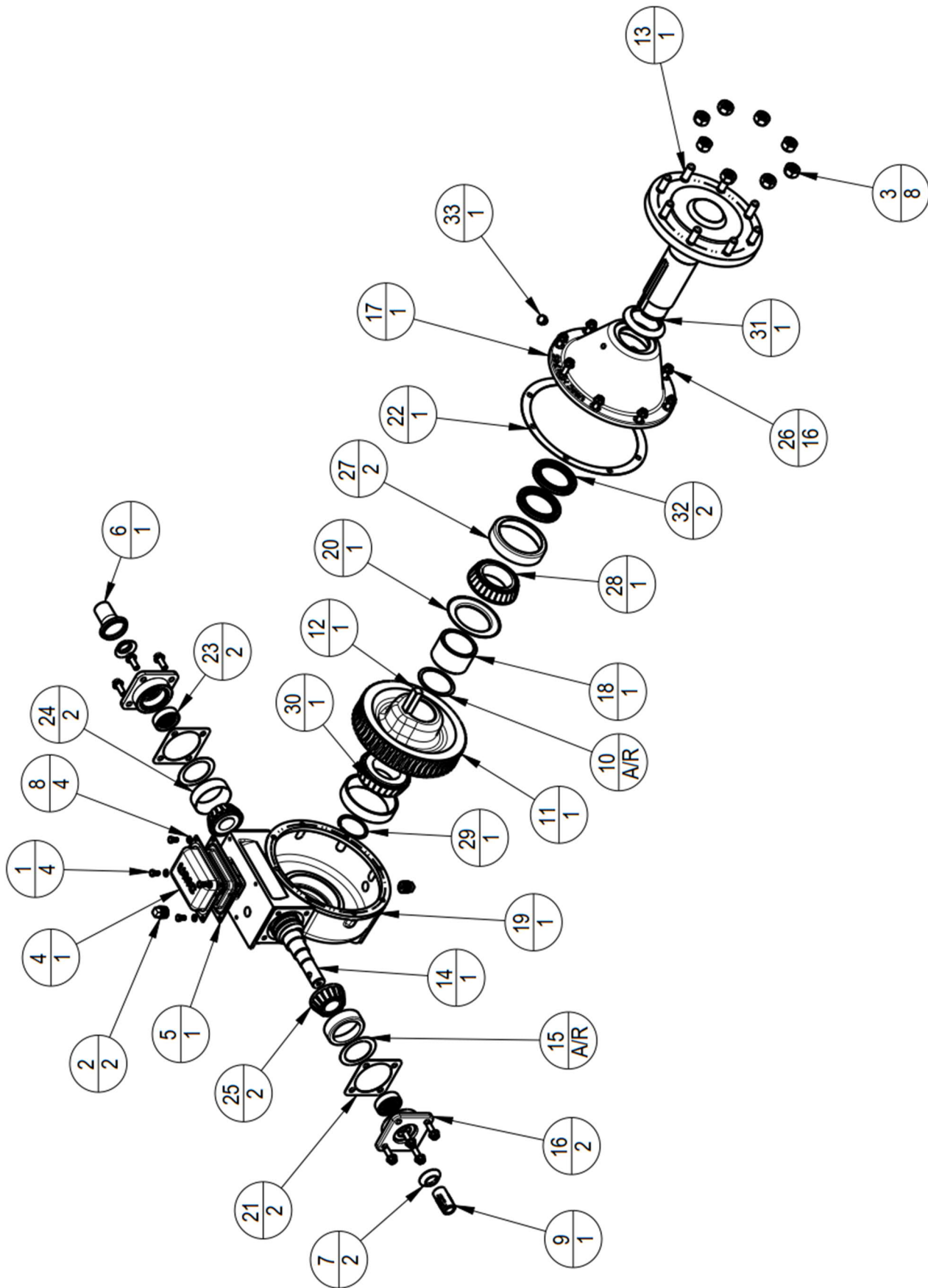
UMC[®] 740-UV[™] (52:1) Assembled in USA Final Drive Gearbox



UMC® 740-UV™ (52:1) Assembled in USA Final Drive Gearbox Bill of Materials			UMC® 740-UV™ AUSA
			10141-106AD-U
Item	UMC Part Number	Description	QTY / ASSY
1	04301-806A	SCREW, HX HD CAP	4
2	06143-205D	COVER, EXP CH (SS) UMC	1
3	06143-704A	DIAPHRAGM, RUBBER (STAMPED COVER)	1
4	06141-806A	BEARING, CONE 2.0000" ID	1
5	10141-218DL	GEAR, 740 52:1	1
6	06141-803A	PLUG, PIPE 1/2" NPT, BLK-OXIDE	2
7	10141-803A	BEARING, CONE 1.2500" ID	2
8	10141-802A	BEARING, CUP 3.0000" OD	2
9	10141-206*	SHIM, INPUT SHAFT (VARIOUS SIZES)	A/R
10	10740-230A-U	COVER, GEARBOX AUSA	1
11	10141-715A	SEAL, INPUT CARTRIDGE	2
12	10141-208A	END CAP	2
13	06145-203*	SHIM, OUTPUT (VARIOUS SIZES)	A/R
14	10141-805A	SCREW, HEX HEAD FLANGE	16
15	10141-226B-NC	GUARD, SHAFT INPUT (HUBCAP)	1
16	06145-801A	BEARING, CUP 3.8125" OD	1
17	06145-802A	BEARING, CONE 2.2500" ID	1
18	06141-809A	GEAR KEY	1
19	06141-808A	RETAINING RING	1
20	10141-226B-NC	GUARD, SHAFT INPUT (HUBCAP)	1
21	10141-204A	SHAFT SPACER	1
22	10141-730E	SEAL, OUTPUT CARTRIDGE	1
23	10740-216G	HOUSING, 13 BOLT UMC	1
24	10141-112A	SHAFT ASSEMBLY, OUTPUT	1
25	06142-801A	LUG NUT	8
26	06147-802A	LOCK WASHER	4
27	06147-707A	SEAL SAVER, INPUT	2
28	06147-903C	OIL CHECK COVER, PVC SHAFT	2
29	06143-802A	BEARING, CUP 3.2500" OD	1
30	10141-705A	SEAL SAVER, 2.25" OUTPUT	1
31	10141-217D	WORM, 740-UV 52:1	1

Note: For maintenance instructions visit UMC's website: www.umcproducts.com/en/sales-service/parts-maintenance/

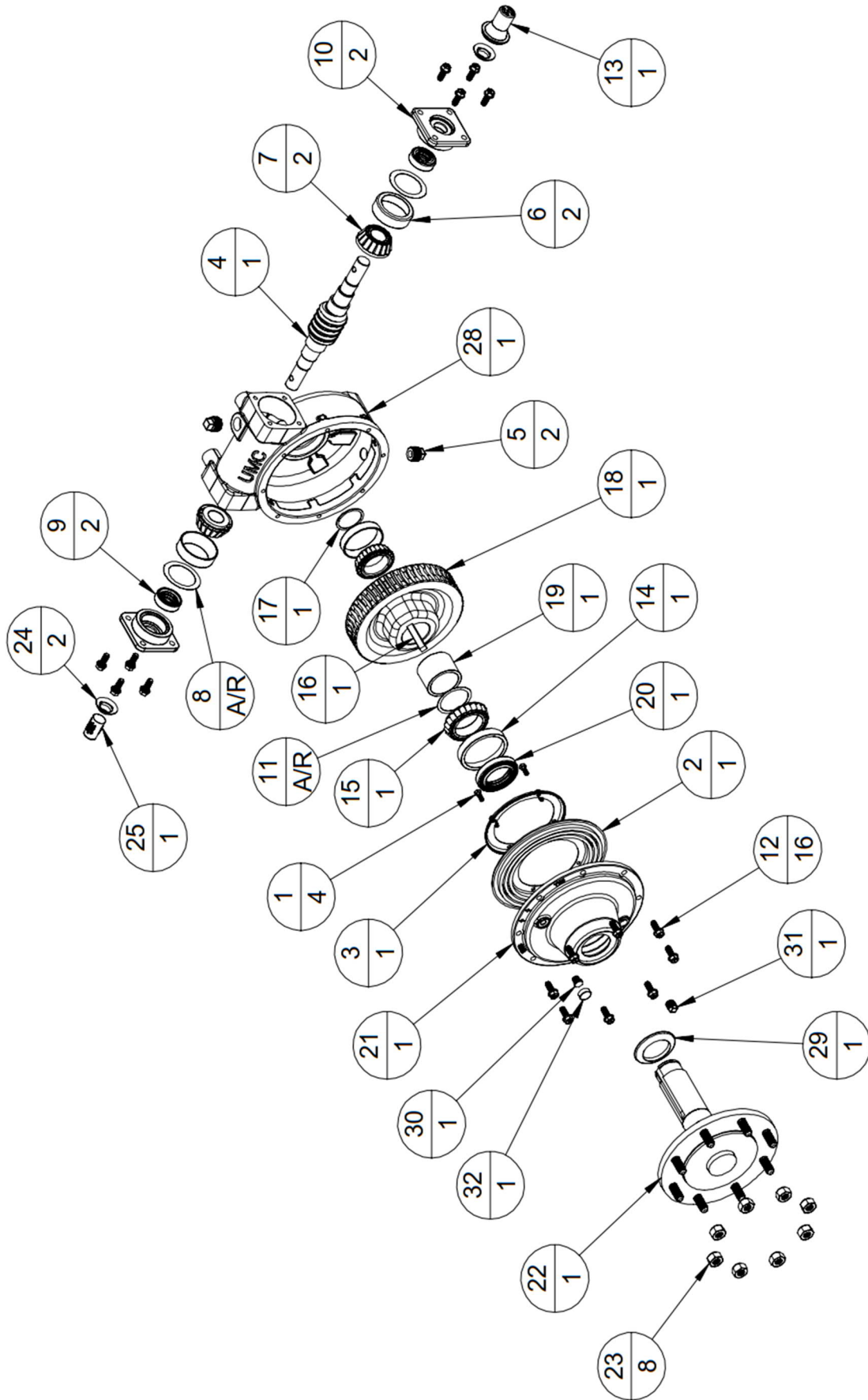
UMC® 745-U™ (50:1) Final Drive Gearbox



UMC® 745-U™ (50:1) Final Drive Gearbox Bill of Materials			UMC® 745-U™
			10141-135A
Item	UMC Part Number	Description	QTY / ASSY
1	04301-806A	SCREW, HX HD CAP, 1/4-20 x .50" LG	4
2	06141-803A	PLUG, PIPE 1/2" NPT, BLK-OXIDE	2
3	06142-801A	LUG NUT	8
4	06143-205D	COVER, EXP CH (SS) UMC	1
5	06143-704A	DIAPHRAGM, RUBBER (STAMPED COVER)	1
6	10141-226A	GUARD, SHAFT INPUT (HUBCAP)	1
7	06147-707A	SEAL SAVER, INPUT	2
8	06147-802A	LOCK WASHER	4
9	06147-903B	OIL CHECK COVER, PVC SHAFT	1
10	06148-204*	SHIM, OUTPUT (VARIOUS SIZES)	A/R
11	06148-209C	GEAR, 745 50:1	1
12	10140-805A	GEAR KEY	1
13	10141-115A	SHAFT ASSEMBLY, OUTPUT	1
14	10141-202A	WORM, 50:1 740-U	1
15	10141-206*	SHIM, INPUT SHAFT (VARIOUS SIZES)	A/R
16	10141-208A	END CAP	2
17	10141-220A	COVER, GEARBOX 745	1
18	10141-269A	SHAFT SPACER	1
19	10141-270A	HOUSING, 745	1
20	10141-271A	CUP, GREASE RETAINER	1
21	10141-701A	GASKET, END CAP	2
22	10141-702A	GASKET, COVER	1
23	10141-715A	SEAL, INPUT CARTRIDGE	2
24	10141-802A	BEARING, CUP 3.0000" OD	2
25	10141-803A	BEARING, CONE 1.2500" ID	2
26	10141-805A	SCREW, HEX HEAD FLANGE	16
27	10141-808A	BEARING, CUP 4.4375" OD	2
28	10141-809A	BEARING, CONE 2.5000" ID	1
29	10141-810A	RETAINING RING	1
30	10141-811A	BEARING, CONE 2.5000" ID CUSTOM	1
31	10143-707A	SEAL SAVER, 2.50" OUTPUT	1
32	10143-711A	SEAL OUTPUT DOUBLE LIP	2
33	10160-802A	PLUG, M10	1

Note: For maintenance instructions visit UMC's website: www.umcproducts.com/en/sales-service/parts-maintenance/

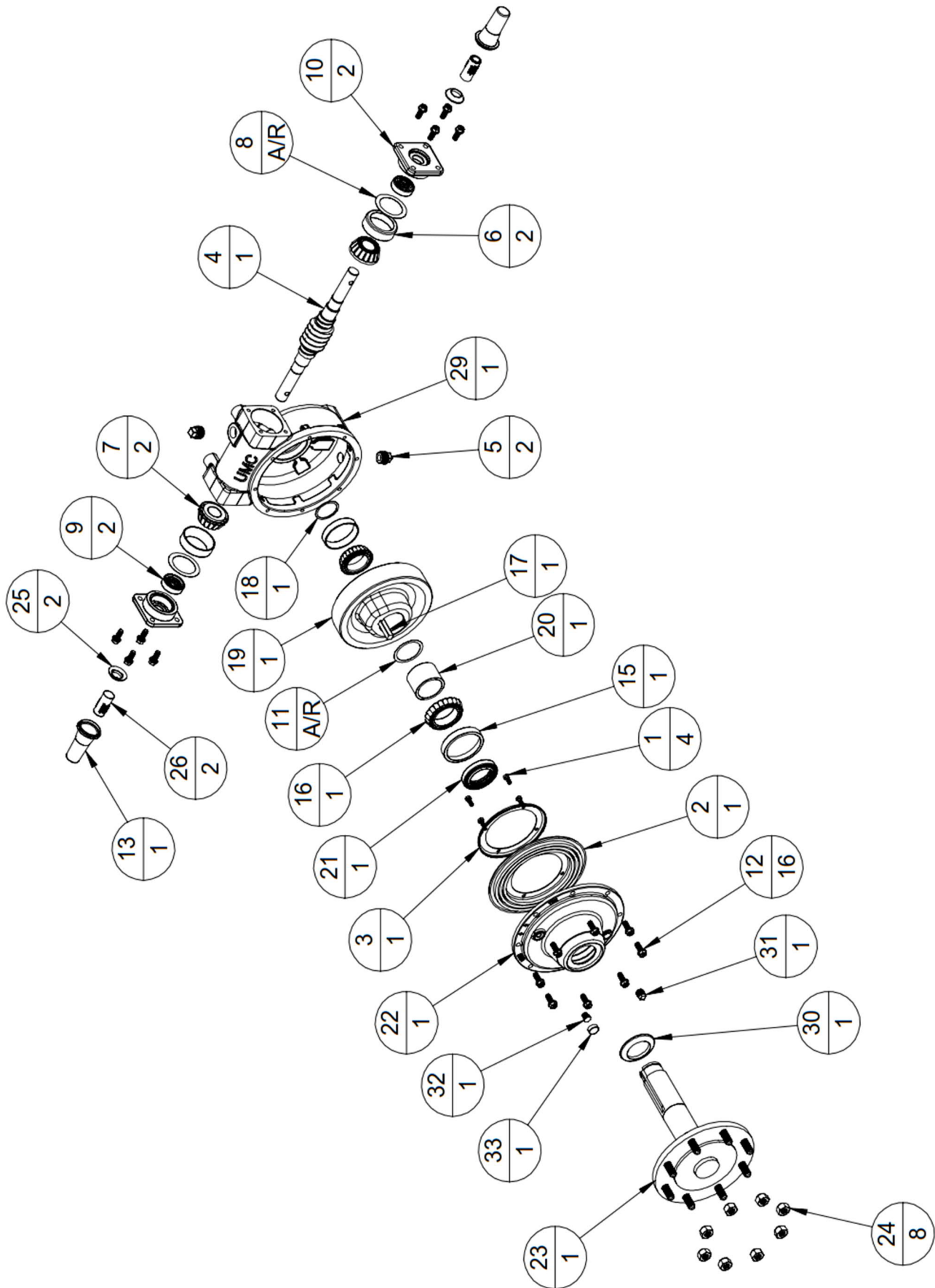
UMC[®] 755-U-AD[™] (50:1) Final Drive Gearbox



UMC® 755-U™ (50:1) Final Drive Gearbox Bill of Materials			UMC® 755-U-AD™
			10150-105AD
Item	UMC Part Number	Description	QTY / ASSY
1	06141-801A	SCREW, HEX HEAD 1/4-20	4
2	10150-702A	DIAPHRAGM, INTERNAL 755	1
3	10150-204A	RETAINER, DIAPHRAGM 755	1
4	10141-202D	WORM GEAR, 50:1	1
5	07440-809A	PIPE PLUG 3/4" NPT	2
6	10141-802A	INPUT BEARING, CUP 3.0000" OD	2
7	10141-803A	INPUT BEARING, CONE 1.2500" ID	2
8	10141-206	SHIM, INPUT (VARIOUS SIZES)	A/R
9	10141-715A	SEAL, INPUT CARTRIDGE	2
10	10141-208A	END CAP	2
11	06145-203	SHIM, OUTPUT (VARIOUS SIZES)	A/R
12	10141-805A	SCREW, HEX HEAD FLANGE	16
13	10141-226A	GUARD, SHAFT INPUT (HUBCAP)	1
14	06145-801A	OUTPUT BEARING, CUP 3.8125" OD	1
15	06145-802A	OUTPUT BEARING, CONE 2.2500" ID	1
16	06141-809A	KEY, GEAR	1
17	06141-808A	RETAINING RING	1
18	10141-212A	BULL GEAR, 50:1	1
19	10141-204A	SPACER, SHAFT	1
20	10141-730E	SEAL, OUTPUT CARTRIDGE	1
21	10150-202A	COVER, GEARBOX 755	1
22	10150-102A	SHAFT ASSEMBLY, OUTPUT 755	1
23	06142-801A	LUG NUT 9/16-18	8
24	06147-707A	SEAL SAVER, INPUT	2
25	06147-903A	OIL CHECK COVER, PVC SHAFT	1
26	06143-802A	OUTPUT BEARING, CUP 3.2500" OD	1
27	06141-806A	OUTPUT BEARING, CONE 2.0000" ID	1
28	10150-201A	HOUSING, 755	1
29	10141-705A	SEAL SAVER, 2.25" OUTPUT	1
30	10142-801B	VENT, BREATHER	1
31	10142-820A	PLUG, 3/8" NPT	1
32	10150-206A	CAP, VENT SHIELD	1

Note: For maintenance instructions visit UMC's website: www.umcproducts.com/en/sales-service/parts-maintenance/

UMC[®] 755-UV[™] (52:1) Final Drive Gearbox



UMC® 755-UV™ (52:1) Final Drive Gearbox Bill of Materials

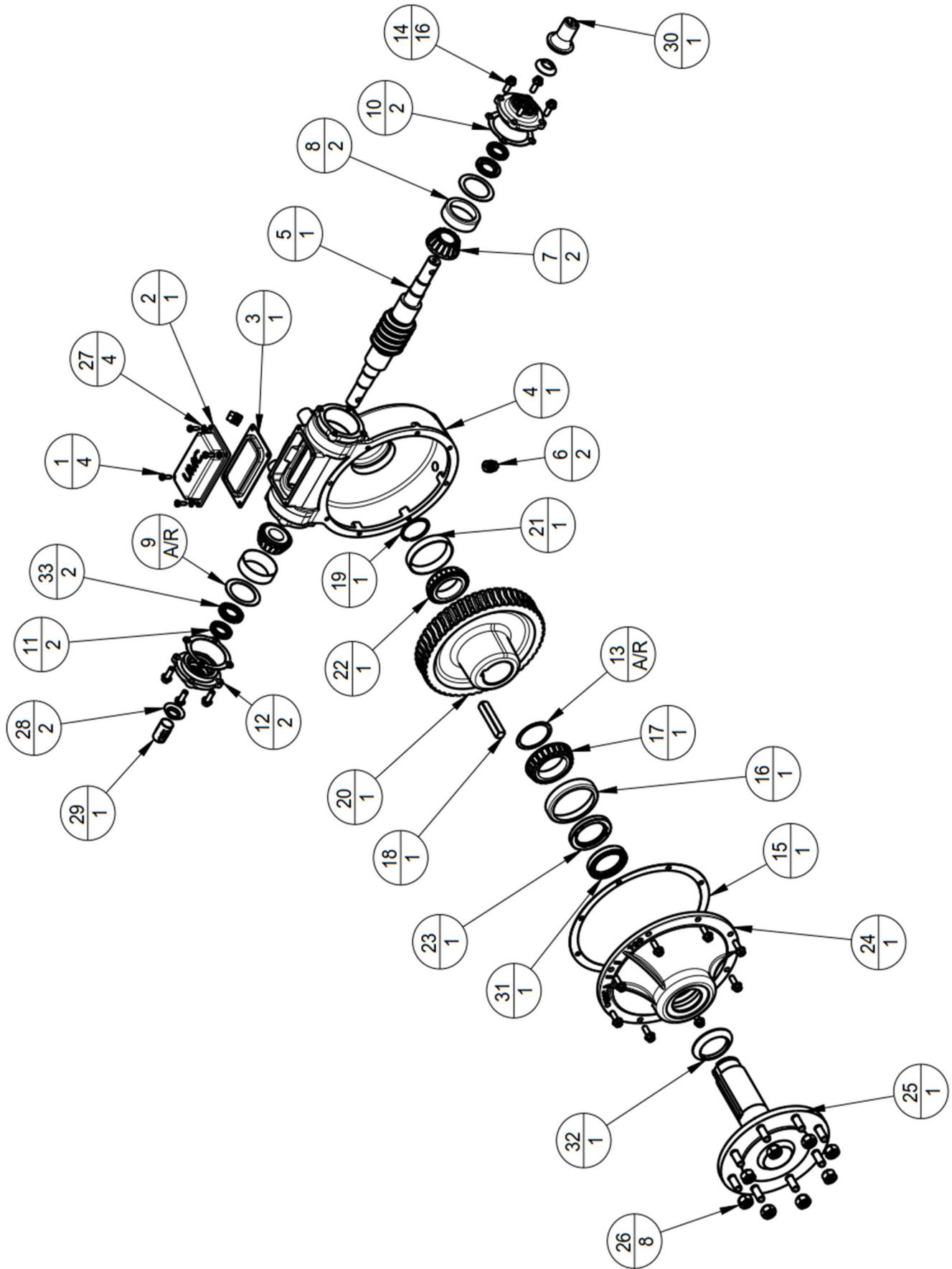
UMC® 755-UV™

10150-106AD

Item	UMC Part Number	Description	QTY / ASSY
1	06141-801A	SCREW, HEX HEAD 1/4-20	4
2	10150-702A	DIAPHRAGM, INTERNAL 755	1
3	10150-204A	RETAINER, DIAPHRAGM 755	1
4	10141-217D	WORM, 52:1	1
5	07440-809A	PIPE PLUG 3/4" NPT	2
6	10141-802A	INPUT BEARING, CUP 3.0000" OD	2
7	10141-803A	INPUT BEARING, CONE 1.2500" ID	2
8	10141-206	SHIM, INPUT (VARIOUS SIZES)	A/R
9	10141-715A	SEAL, INPUT CARTRIDGE	2
10	10141-208A	END CAP	2
11	06145-203	SHIM, OUTPUT (VARIOUS SIZES)	A/R
12	10141-805A	SCREW, HEX HEAD FLANGE	16
13	10141-226B	GUARD, SHAFT INPUT (HUBCAP)	1
14	10141-226B-NC	GUARD, SHAFT INPUT (HUBCAP), BLANK	1
15	06145-801A	OUTPUT BEARING, CUP 3.8125" OD	1
16	06145-802A	OUTPUT BEARING, CONE 2.2500" ID	1
17	06141-809A	KEY, GEAR	1
18	06141-808A	RETAINING RING	1
19	10141-218AL	GEAR, 52:1	1
20	10141-204A	SPACER, SHAFT	1
21	10141-730E	SEAL, OUTPUT CARTRIDGE	1
22	10150-202A	COVER, GEARBOX 755	1
23	10141-112A	SHAFT ASSEMBLY, 52:1 OUTPUT	1
24	06142-801A	LUG NUT 9/16-18	8
25	06147-707A	SEAL SAVER, INPUT	2
26	06147-903C	OIL CHECK COVER, PVC SHAFT	1
27	06143-802A	OUTPUT BEARING, CUP 3.2500" OD	1
28	06141-806A	OUTPUT BEARING, CONE 2.0000" ID	1
29	10150-201A	HOUSING, 755	1
30	10141-705A	SEAL SAVER, 2.25" OUTPUT	1
31	10142-820A	PLUG, 3/8" NPT	1
32	10142-801B	VENT, BREATHER	1
33	10150-206A	CAP, VENT SHIELD	1

Note: For maintenance instructions visit UMC's website: www.umcproducts.com/en/sales-service/parts-maintenance/

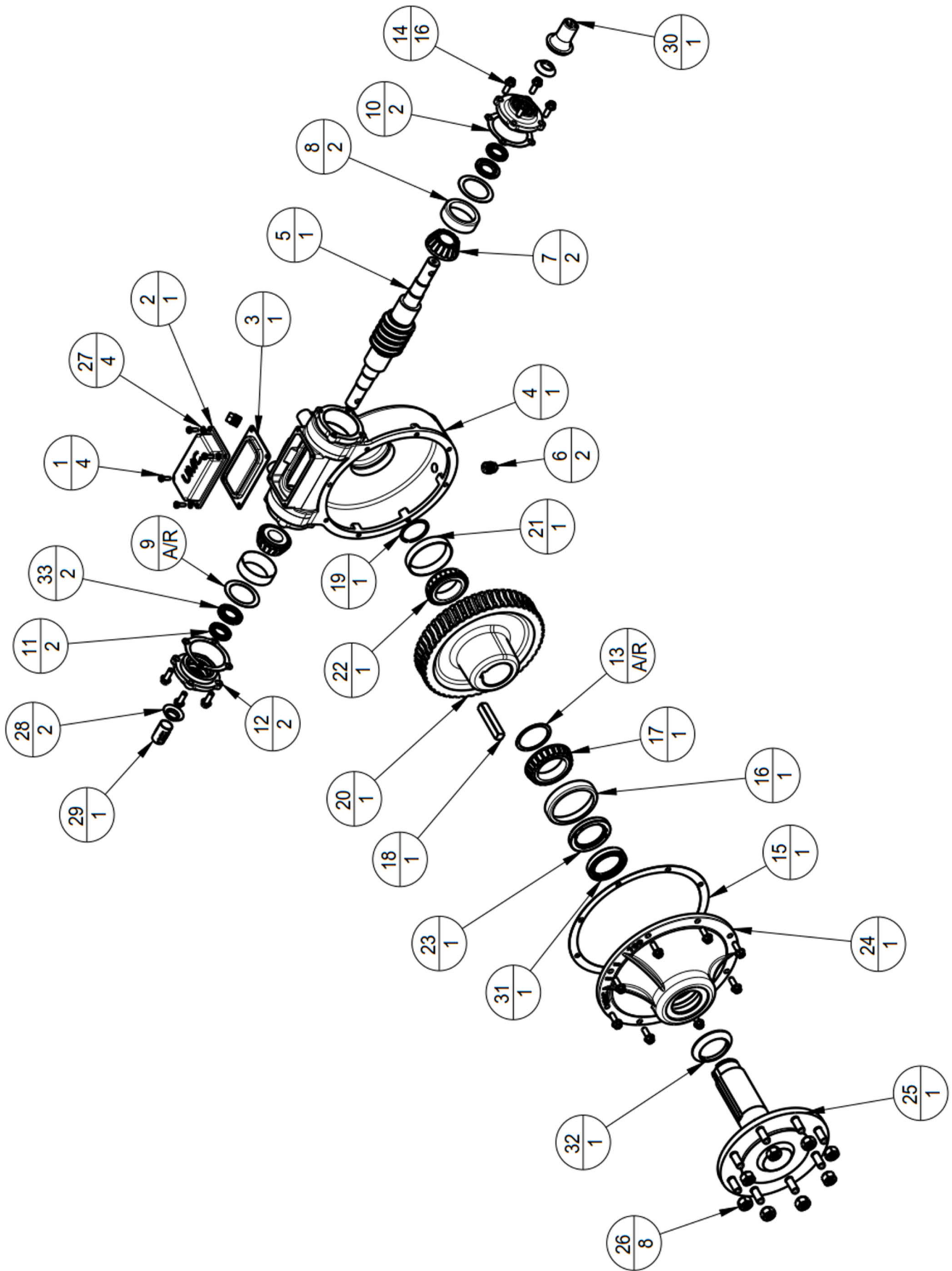
UMC[®] 760-U[™] (50:1) Final Drive Gearbox



UMC® 760-U™ (50:1) Final Drive Gearbox Bill of Materials			UMC® 760-U™
			10160-109A
Item	UMC Part Number	Description	QTY / ASSY
1	06141-801A	SCREW, HX HD CAP	4
2	10160-207A	COVER, EXPANSION 760 SERIES, UMC	1
3	10160-702A	DIAPHRAGM, EXPANSION CHAMBER, 760 SERIES	1
4	10160-201A	HOUSING, 760 50:1 SERIES	1
5	10160-209A	WORM, 760 50:1	1
6	06141-803A	PLUG, PIPE 1/2" NPT, BLK-OXIDE	2
7	10141-803A	BEARING, CONE 1.2500" ID	2
8	10141-802A	BEARING, CUP 3.0000" OD	2
9	10141-206*	SHIM, INPUT SHAFT (VARIOUS SIZES)	A/R
10	10160-701A	GASKET, 760 END CAP	2
11	10160-705A	SEAL, OIL DOUBLE LIP INPUT	2
12	10160-205A	END CAP, SERIES 760	2
13	06148-204*	SHIM, OUTPUT 2 1/2" ID (VARIOUS SIZES)	A/R
14	10141-805A	SCREW, HEX HEAD FLANGE	16
15	10160-703A	GASKET, 760 COVER	1
16	07710-801A	BEARING, CUP 4.3307" OD	1
17	06148-801A	BEARING, CONE 2.5000" ID	1
18	10160-801A	GEAR KEY	1
19	10141-810A	RETAINING RING 2.25" SHAFT	1
20	10160-206A	GEAR, 760 SERIES 50:1	1
21	06145-801A	BEARING, CUP 3.8125" OD	1
22	06145-802A	BEARING, CONE 2.2500" ID	1
23	10143-708A	SEAL, OIL SINGLE LIP OUTPUT	1
24	10160-202A	COVER, 760 SERIES	1
25	10160-102B	SHAFT ASSY, OUTPUT 50:1	1
26	06142-801A	LUG NUT	8
27	06147-802A	LOCK WASHER	4
28	06147-707A	SEAL SAVER, INPUT	2
29	06147-903A	OIL CHECK COVER, PVC	1
30	10141-226A	GUARD, SHAFT INPUT (HUBCAP)	1
31	10143-709A	SEAL, OIL TRIPLE LIP OUTPUT	1
32	10143-707A	SEAL SAVER, OUTPUT 2.50" SHAFT	1
33	10160-704A	SEAL, OIL DOUBLE LIP INPUT	2

Note: For maintenance instructions visit UMC's website: www.umcproducts.com/en/sales-service/parts-maintenance/

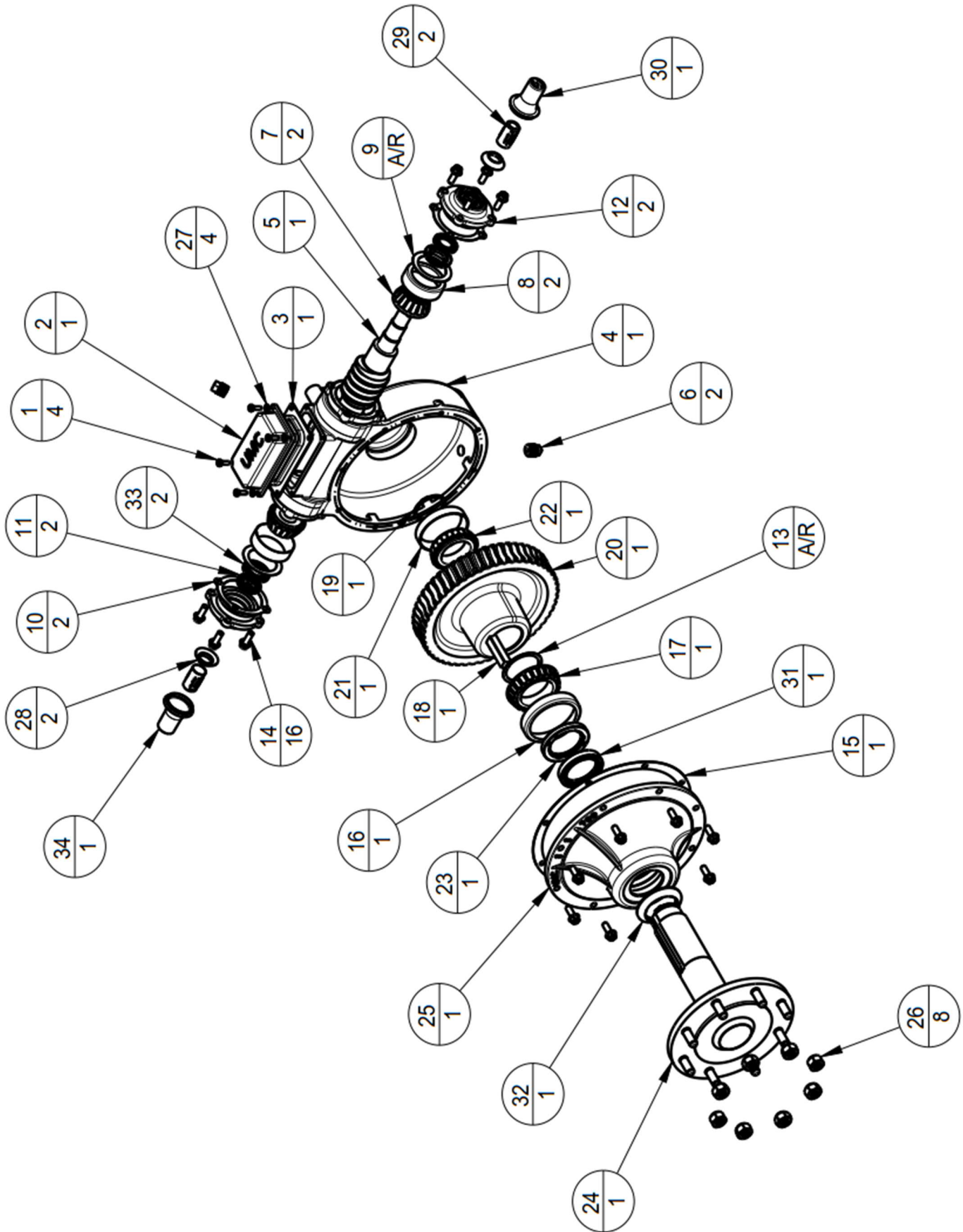
UMC[®] 760-U[™] Bronze (50:1) Final Drive Gearbox



UMC® 760-U™ Bronze (50:1) Final Drive Gearbox Bill of Materials			UMC® 760-U™ Bronze
			10160-109B
Item	UMC Part Number	Description	QTY / ASSY
1	06141-801A	SCREW, HX HD CAP	4
2	10160-207A	COVER, EXPANSION 760 SERIES, UMC	1
3	10160-702A	DIAPHRAGM, EXPANSION CHAMBER, 760 SERIES	1
4	10160-201A	HOUSING, 760 50:1 SERIES	1
5	10160-209B	WORM, 760 50:1 HT	1
6	06141-803A	PLUG, PIPE 1/2" NPT, BLK-OXIDE	2
7	10141-803A	BEARING, CONE 1.2500" ID	2
8	10141-802A	BEARING, CUP 3.0000" OD	2
9	10141-206*	SHIM, INPUT SHAFT (VARIOUS SIZES)	A/R
10	10160-701A	GASKET, 760 END CAP	2
11	10160-705A	SEAL, OIL DOUBLE LIP INPUT	2
12	10160-205A	END CAP, SERIES 760	2
13	06148-204*	SHIM, OUTPUT 2 1/2" ID (VARIOUS SIZES)	A/R
14	10141-805A	SCREW, HEX HEAD FLANGE	16
15	10160-703A	GASKET, 760 COVER	1
16	07710-801A	BEARING, CUP 4.3307" OD	1
17	06148-801A	BEARING, CONE 2.5000" ID	1
18	10160-801A	GEAR KEY	1
19	10141-810A	RETAINING RING 2.25" SHAFT	1
20	10160-206B	GEAR, 760 SERIES 50:1 BRONZE	1
21	06145-801A	BEARING, CUP 3.8125" OD	1
22	06145-802A	BEARING, CONE 2.2500" ID	1
23	10143-708A	SEAL, OIL SINGLE LIP OUTPUT	1
24	10160-202A	COVER, 760 SERIES	1
25	10160-102B	SHAFT ASSY, OUTPUT 50:1	1
26	06142-801A	LUG NUT	8
27	06147-802A	LOCK WASHER	4
28	06147-707A	SEAL SAVER, INPUT	2
29	06147-903A	OIL CHECK COVER, PVC	1
30	10141-226A-NC	GUARD, SHAFT INPUT (HUBCAP)	1
31	10143-709A	SEAL, OIL TRIPLE LIP OUTPUT	1
32	10143-707A	SEAL SAVER, OUTPUT 2.50" SHAFT	1
33	10160-704A	SEAL, OIL DOUBLE LIP INPUT	2

Note: For maintenance instructions visit UMC's website: www.umcproducts.com/en/sales-service/parts-maintenance/

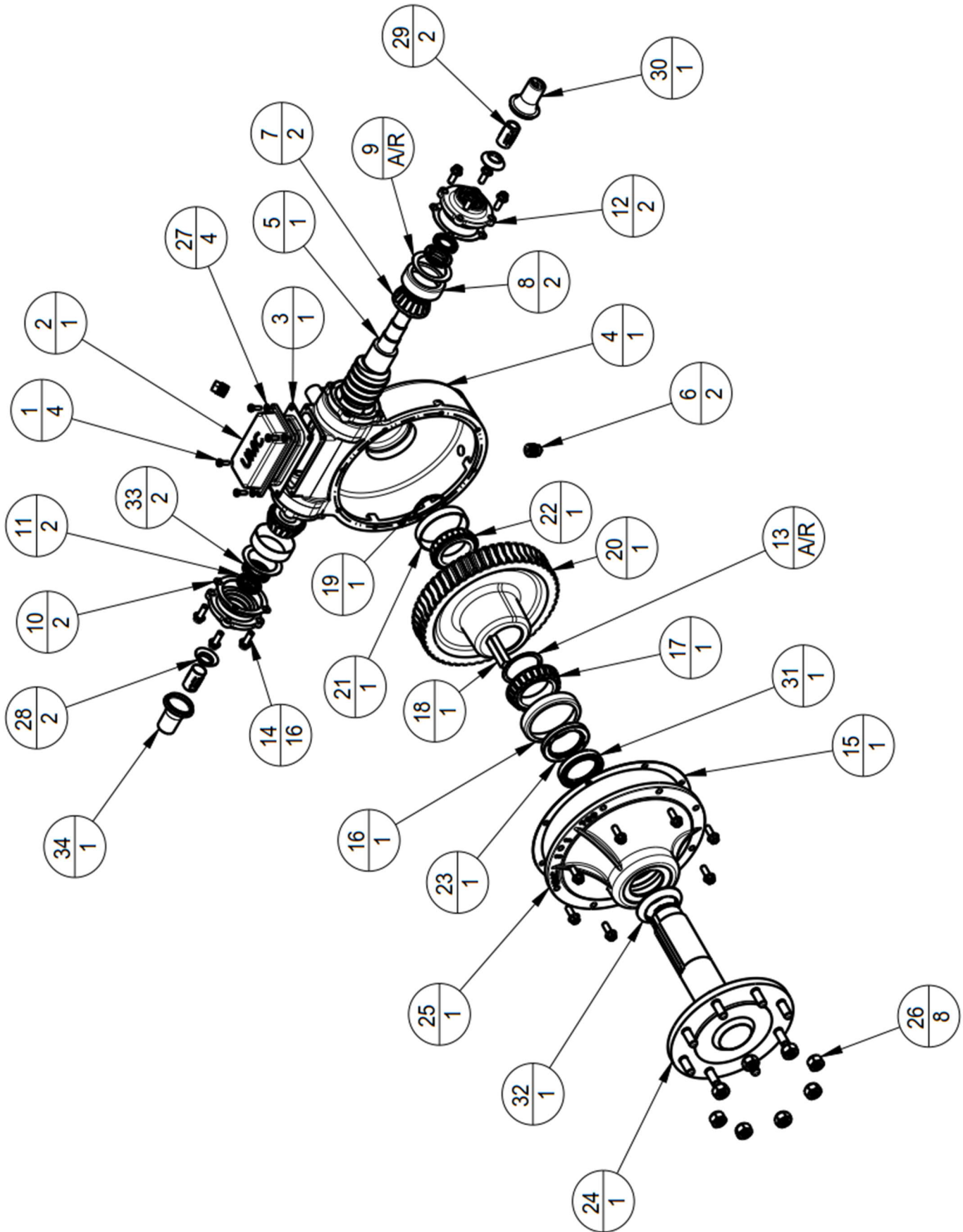
UMC[®] 760-UV[™] (52:1) Final Drive Gearbox



UMC® 760-UV™ (52:1) Final Drive Gearbox Bill of Materials			UMC® 760-UV™
			10160-106AD
Item	UMC Part Number	Description	QTY / ASSY
1	06141-801A	SCREW, HX HD CAP	4
2	10160-207A	COVER, EXPANSION 760 SERIES, UMC	1
3	10160-702A	DIAPHRAGM, EXPANSION CHAMBER, 760 SERIES	1
4	10160-201V	HOUSING, 760 52:1 SERIES	1
5	10160-212D	WORM, 760 52:1	1
6	06141-803A	PLUG, PIPE 1/2" NPT, BLK-OXIDE	2
7	10141-803A	BEARING, CONE 1.2500" ID	2
8	10141-802A	BEARING, CUP 3.0000" OD	2
9	10141-206*	SHIM, INPUT SHAFT (VARIOUS SIZES)	A/R
10	10160-701A	GASKET, 760 END CAP	2
11	10160-705A	SEAL, OIL DOUBLE LIP INPUT	2
12	10160-205A	END CAP, SERIES 760	2
13	06148-204*	SHIM, OUTPUT 2 1/2" ID (VARIOUS SIZES)	A/R
14	10141-805A	SCREW, HEX HEAD FLANGE	16
15	10160-703A	GASKET, 760 COVER	1
16	07710-801A	BEARING, CUP 4.3307" OD	1
17	06148-801A	BEARIN, CONE 2.5000" ID	1
18	10160-801A	GEAR KEY	1
19	10141-810A	RETAINING RING 2.25" SHAFT	1
20	10160-213D	GEAR, 760 SERIES 52:1	1
21	06145-801A	BEARING, CUP 3.8125" OD	1
22	06145-802A	BEARING, CONE 2.2500" ID	1
23	10143-708A	SEAL, OIL SINGLE LIP OUTPUT	1
24	10160-112A	SHAFT ASSY, OUTPUT 52:2	1
25	10160-202A	COVER, 760 SERIES	1
26	06142-801A	LUG NUT	8
27	06147-802A	LOCK WASHER	4
28	06147-707A	SEAL SAVER, INPUT	2
29	06147-903A	OIL CHECK COVER, PVC	2
30	10141-226A	GUARD, SHAFT INPUT (HUBCAP)	1
31	10143-709A	SEAL, OIL TRIPLE LIP OUTPUT	1
32	10143-707A	SEAL SAVER, OUTPUT 2.50" SHAFT	1
33	10160-704A	SEAL, OIL DOUBLE LIP INPUT	2
34	10141-226A-NC	GUARD, SHAFT INPUT (HUBCAP), BLANK	1

Note: For maintenance instructions visit UMC's website: www.umcproducts.com/en/sales-service/parts-maintenance/

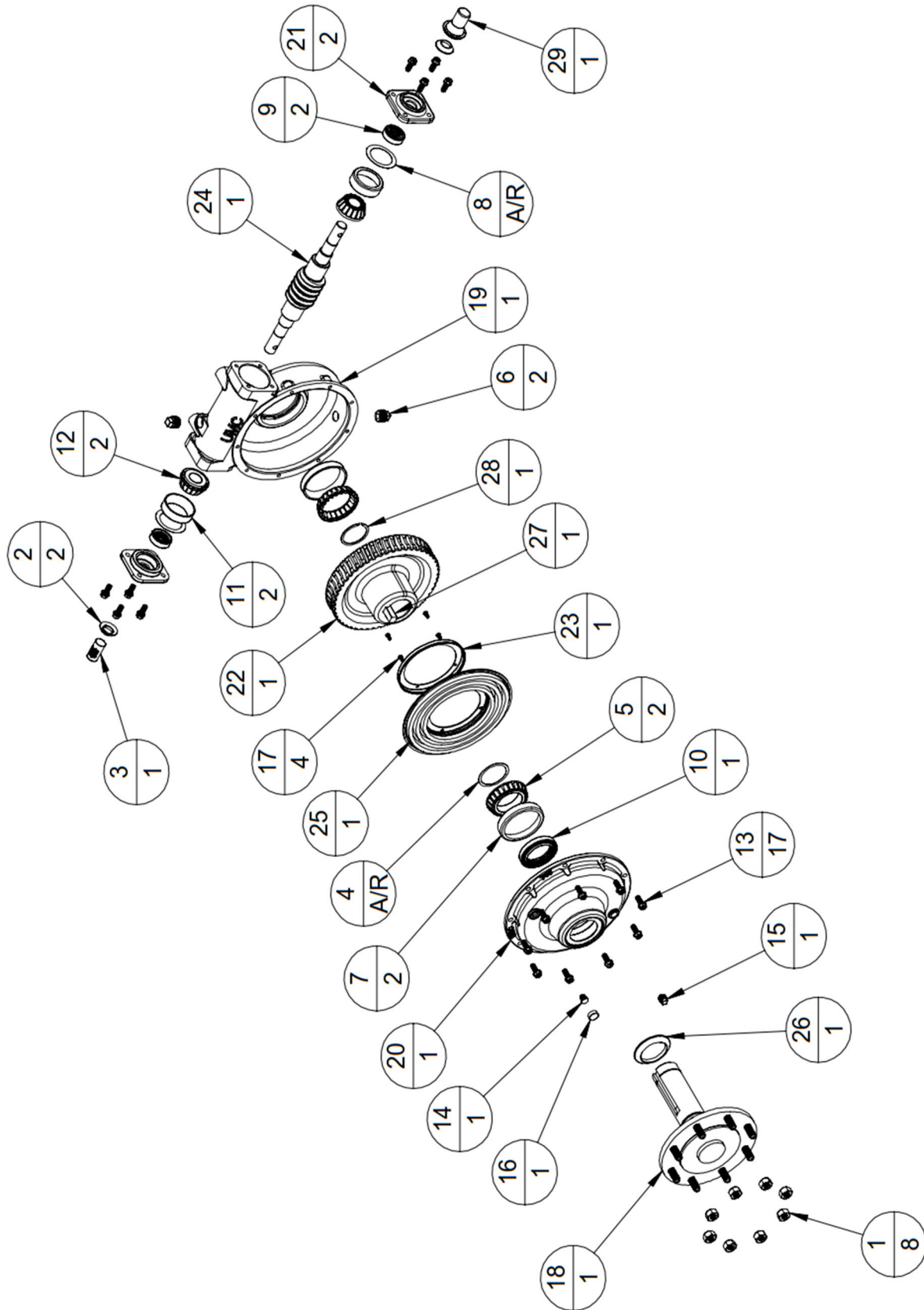
UMC® 760-UV™ Bronze (52:1) Final Drive Gearbox



UMC® 760-UV™ Bronze (52:1) Final Drive Gearbox Bill of Materials			UMC® 760-UV™ Bronze
			10160-106B
Item	UMC Part Number	Description	QTY / ASSY
1	06141-801A	SCREW, HX HD CAP	4
2	10160-207A	COVER, EXPANSION 760 SERIES, UMC	1
3	10160-702A	DIAPHRAGM, EXPANSION CHAMBER, 760 SERIES	1
4	10160-201V	HOUSING, 760 52:1 SERIES	1
5	10160-212B	WORM, 760 52:2 HT	1
6	06141-803A	PLUG, PIPE 1/2" NPT, BLK-OXIDE	2
7	10141-803A	BEARING, CONE 1.2500" ID	2
8	10141-802A	BEARING, CUP 3.0000" OD	2
9	10141-206*	SHIM, INPUT SHAFT (VARIOUS SIZES)	A/R
10	10160-701A	GASKET, 760 END CAP	2
11	10160-705A	SEAL, OIL DOUBLE LIP INPUT	2
12	10160-205A	END CAP, SERIES 760	2
13	06148-204*	SHIM, OUTPUT 2 1/2" ID (VARIOUS SIZES)	A/R
14	10141-805A	SCREW, HEX HEAD FLANGE	16
15	10160-703A	GASKET, 760 COVER	1
16	07710-801A	BEARING, CUP 4.3307" OD	1
17	06148-801A	BEARIN, CONE 2.5000" ID	1
18	10160-801A	GEAR KEY	1
19	10141-810A	RETAINING RING 2.25" SHAFT	1
20	10160-213B	GEAR, 760 SERIES 52:2 BRONZE	1
21	06145-801A	BEARING, CUP 3.8125" OD	1
22	06145-802A	BEARING, CONE 2.2500" ID	1
23	10143-708A	SEAL, OIL SINGLE LIP OUTPUT	1
24	10160-112A	SHAFT ASSY, OUTPUT 52:2	1
25	10160-202A	COVER, 760 SERIES	1
26	06142-801A	LUG NUT	8
27	06147-802A	LOCK WASHER	4
28	06147-707A	SEAL SAVER, INPUT	2
29	06147-903A	OIL CHECK COVER, PVC	2
30	10141-226A	GUARD, SHAFT INPUT (HUBCAP)	1
31	10143-709A	SEAL, OIL TRIPLE LIP OUTPUT	1
32	10143-707A	SEAL SAVER, OUTPUT 2.50" SHAFT	1
33	10160-704A	SEAL, OIL DOUBLE LIP INPUT	2
34	10141-226A-NC	GUARD, SHAFT INPUT (HUBCAP), BLANK	1

Note: For maintenance instructions visit UMC's website: www.umcproducts.com/en/sales-service/parts-maintenance/

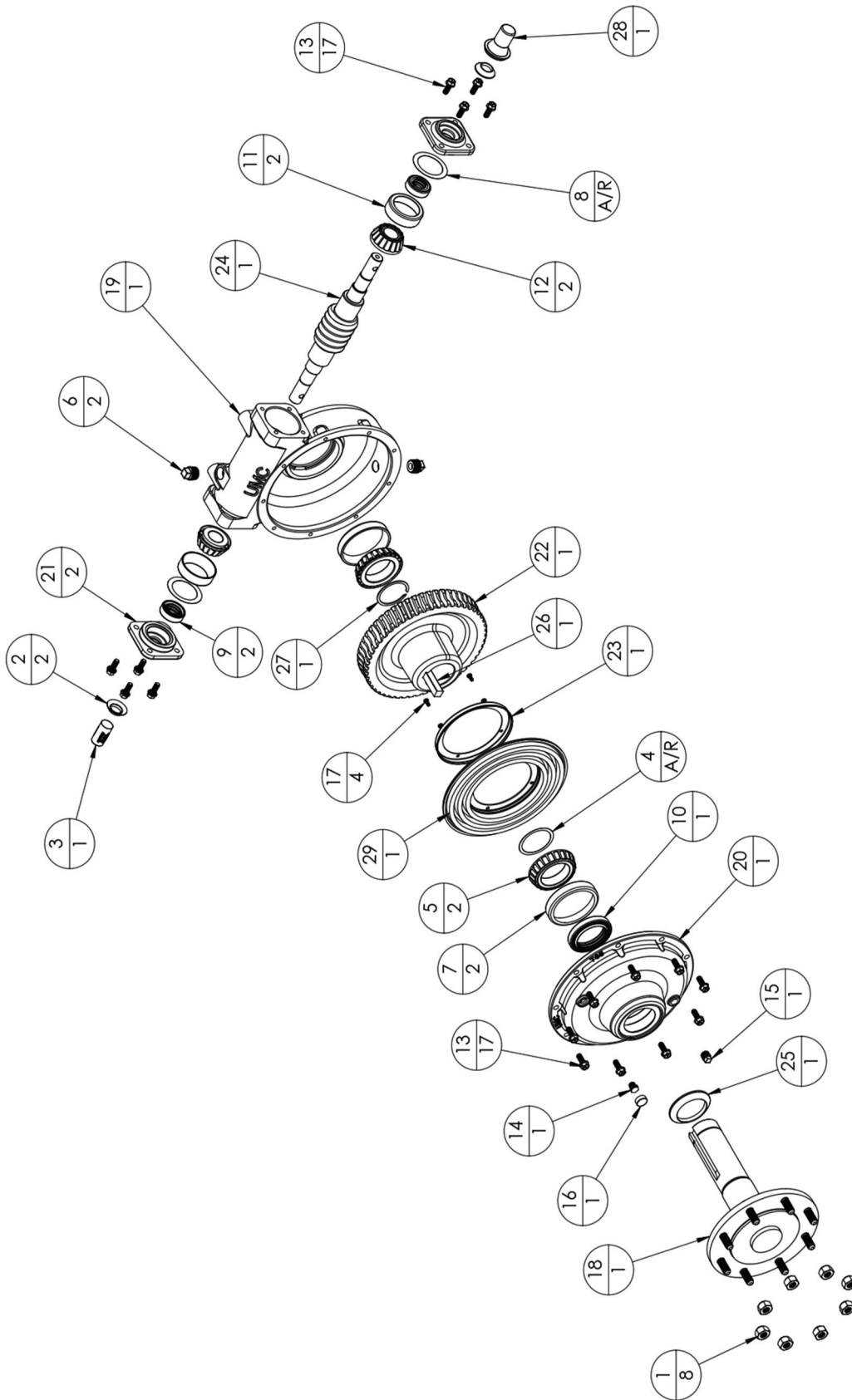
UMC® 765-U-AD™ & 765-U™ Bronze (50:1) Final Drive Gearbox



UMC® 765-U-AD™ & 765-U™ Bronze (50:1) Final Drive Gearbox Bill of Materials			UMC® 765-U-AD™	UMC® 765-U™ Bronze
			10162-105A	10162-105B
Item	UMC Part Number	Description	QTY / ASSY	QTY / ASSY
1	06142-801A	LUG NUT 9/16-18	8	8
2	06147-707A	SEAL SAVER, INPUT	2	2
3	06147-903B	OIL CHECK COVER, PVC SHAFT	1	1
4	06148-204	SHIM, OUTPUT (VARIOUS SIZES)	A/R	A/R
5	06148-801A	BEARING, CONE 2.5000" ID	2	2
6	07440-809A	PIPE PLUG 3/4" NPT	2	2
7	07710-801A	BEARING, CUP 4.3307" OD	2	2
8	10141-206	SHIM, INPUT (VARIOUS SIZES)	A/R	A/R
9	10141-715A	SEAL, INPUT CARTRIDGE	2	2
10	10141-740E	SEAL, OUTPUT CARTRIDGE	1	1
11	10141-802A	BEARING, CUP 3.0000" OD	2	2
12	10141-803A	BEARING, CONE 1.2500" ID	2	2
13	10141-805A	SCREW, HEX HEAD FLANGE	17	17
14	10142-801B	VENT, BREATHER	1	1
15	10142-820A	PLUG, 3/8" NPT	1	1
16	10150-206A	CAP, VENT SHIELD	1	1
17	10145-811A	SCREW, PAN HEAD M5	4	4
18	10162-102A	SHAFT ASSEMBLY, OUTPUT 2-5/8"	1	1
19	10162-201B	HOUSING, 765, 16 BOLT	1	1
20	10162-202A	COVER, GEARBOX 765	1	1
21	10162-205A	END CAP, 765	2	2
22	10162-206A	GEAR, 765 50:1	1	-
22	10162-206B	GEAR, 765 50:1, BRONZE	-	1
23	10162-209A	RETAINER, DIAPHRAGM 765	1	1
24	10162-211AD	WORM, 765 50:1, DCI	1	-
24	10162-211B	WORM, 765 50:1, HT	-	1
25	10162-702B	DIAPHRAGM, INTERNAL 765	1	1
26	10162-707A	SEAL SAVER, OUTPUT 765	1	1
27	10160-801A	KEY, GEAR	1	1
28	10162-802A	RETAINING RING 765	1	1
29	10141-226A-NC	GUARD, SHAFT INPUT (HUBCAP), BLANK	1	1

Note: For maintenance instructions visit UMC's website: www.umcproducts.com/en/sales-service/parts-maintenance/

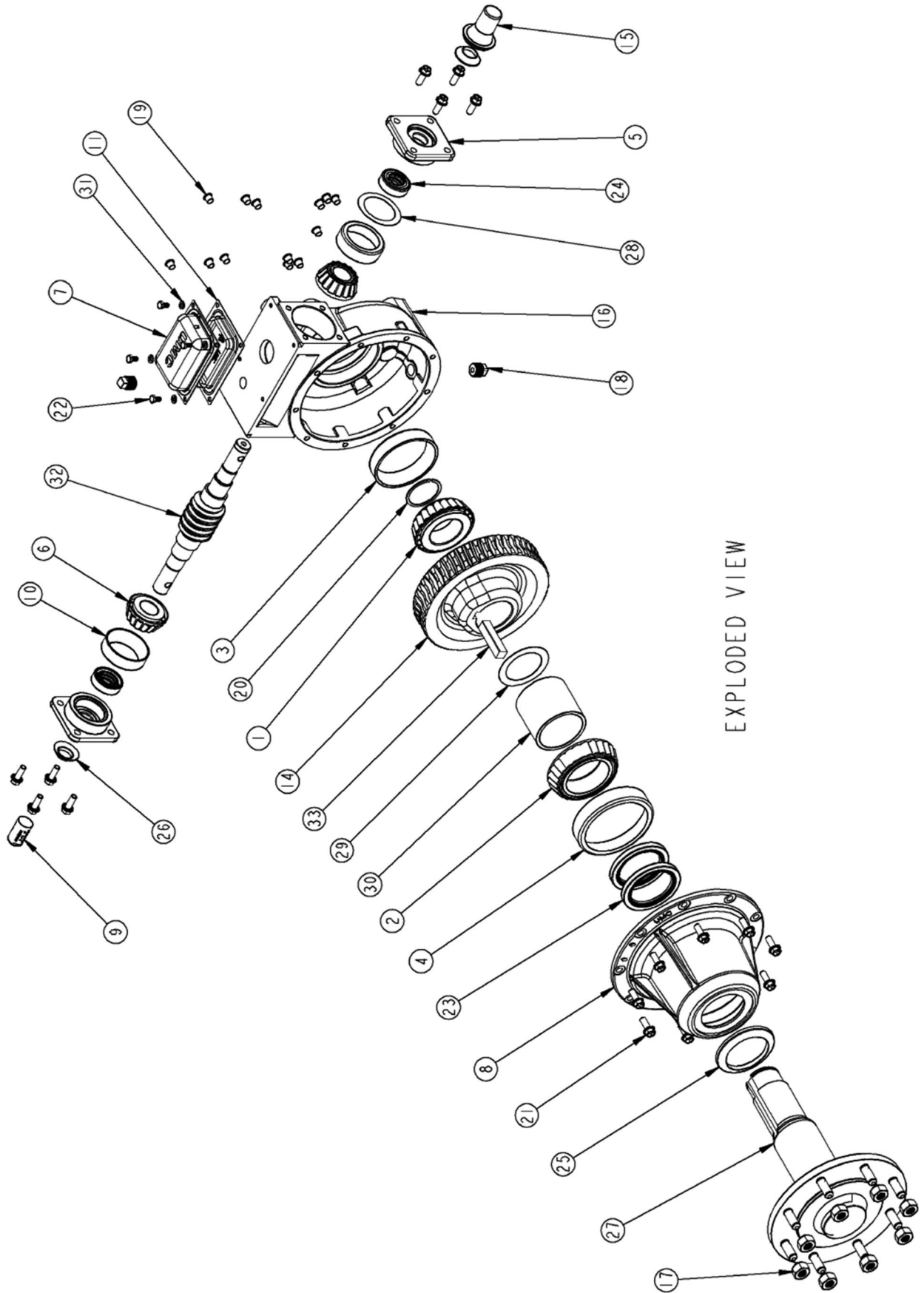
UMC® 765-UV™ & 765-UV™ Bronze (52:1) Final Drive Gearbox



UMC® 765-UV™ & 765-UV™ Bronze (52:1) Final Drive Gearbox Bill of Materials			UMC® 765-UV™	UMC® 765-UV™ Bronze
			10162-106AD	10162-106B
Item	UMC Part Number	Description	QTY / ASSY	QTY / ASSY
1	06142-801A	LUG NUT 9/16-18	8	8
2	06147-707A	SEAL SAVER, INPUT	2	2
3	06147-903B	OIL CHECK COVER, PVC SHAFT	1	1
4	06148-204	SHIM, OUTPUT (VARIOUS SIZES)	A/R	A/R
5	06148-801A	BEARING, CONE 2.5000" ID	2	2
6	07440-809A	PIPE PLUG 3/4" NPT	2	2
7	07710-801A	BEARING, CUP 4.3307" OD	2	2
8	10141-206	SHIM, INPUT (VARIOUS SIZES)	A/R	A/R
9	10141-715A	SEAL, INPUT CARTRIDGE	2	2
10	10141-740E	SEAL, OUTPUT CARTRIDGE	1	1
11	10141-802A	BEARING, CUP 3.0000" OD	2	2
12	10141-803A	BEARING, CONE 1.2500" ID	2	2
13	10141-805A	SCREW, HEX HEAD FLANGE	17	17
14	10142-801B	VENT, BREATHER	1	1
15	10142-820A	PLUG, 3/8" NPT	1	1
16	10150-206A	CAP, VENT SHIELD	1	1
17	10145-811A	SCREW, PAN HEAD M5	4	4
18	10162-112A	SHAFT ASSEMBLY, OUTPUT 2-5/8"	1	1
19	10162-201A	HOUSING, 765, 13 BOLT	1	1
20	10162-202A	COVER, GEARBOX 765	1	1
21	10162-205A	END CAP, 765	2	2
22	10162-213D	GEAR, 765 52:1	1	-
22	10162-213B	GEAR, 765 52:1, BRONZE/IRON	-	1
23	10162-209A	RETAINER, DIAPHRAGM 765	1	1
24	10162-212D	WORM, 765 52:1, DCI	1	-
24	10162-212B	WORM, 765 50:1, HT	-	1
25	10162-707A	SEAL SAVER, OUTPUT 765	1	1
26	10160-801A	KEY, GEAR	1	1
27	10162-802A	RETAINING RING 765	1	1
28	10141-226A-NC	GUARD, INPUT SHAFT (HUBCAP), BLANK	1	1
29	10162-702B	DIAPHRAGM, INTERNAL 765	1	1

Note: For maintenance instructions visit UMC's website: www.umcproducts.com/en/sales-service/parts-maintenance/

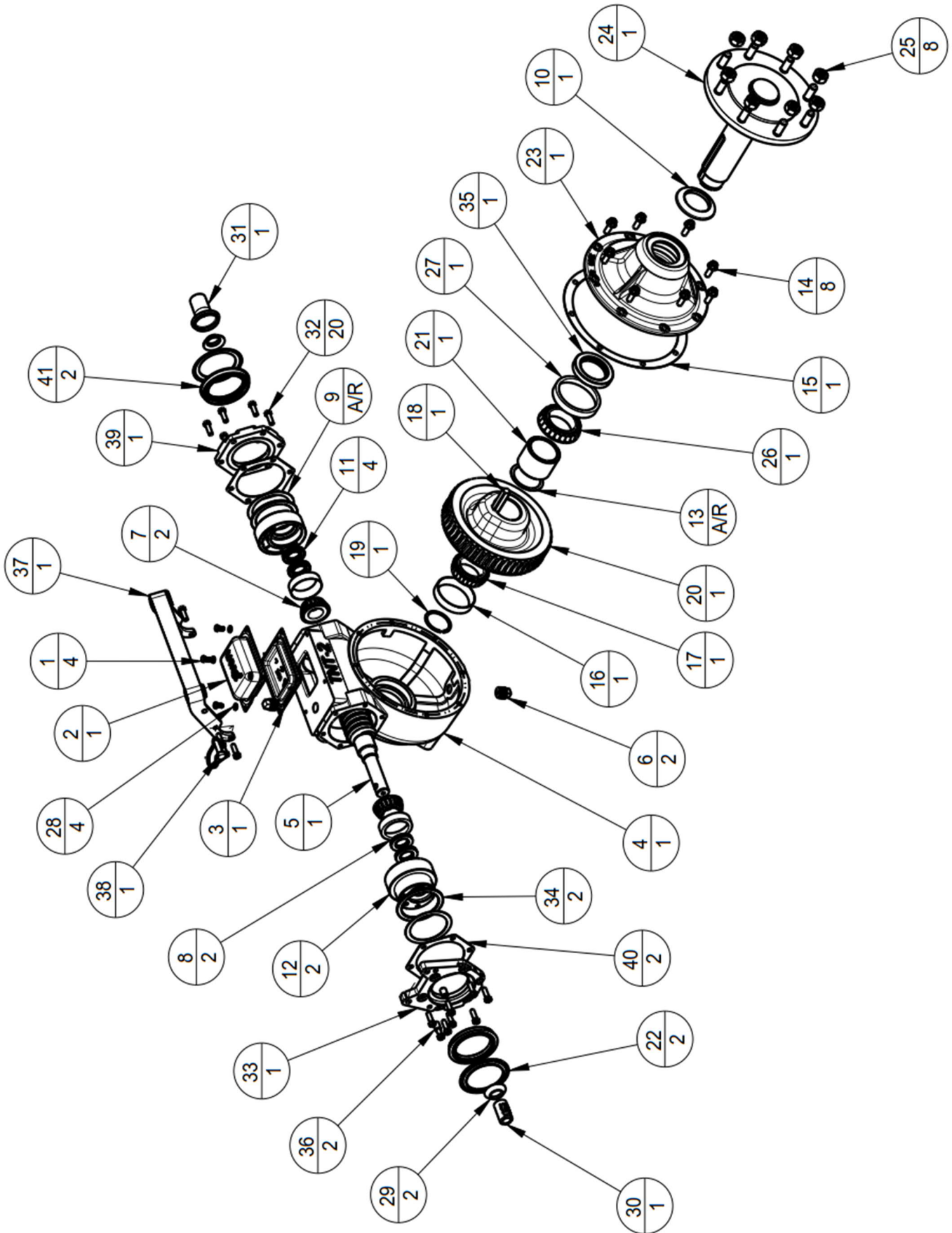
UMC® 775-U-AD™ (50:1) Final Drive Gearbox



UMC® 775-U-AD™ (50:1) Final Drive Gearbox Bill of Materials			UMC® 775-U-AD™
			10164-115A
Item	UMC Part Number	Description	QTY / ASSY
1	10141-811A	BEARING, CONE 2.25" ID	1
2	10164-811A	BEARING, CONE 3.00" ID	1
3	10141-808A	BEARING, CUP 4.4375" OD	1
4	10164-810A	BEARING, CUP 5.25" OD	1
5	10141-208A	END CAP	2
6	10141-803A	BEARING, CONE 1.25" ID	2
7	06143-205D	COVER, EXP CH (SS) UMC	1
8	10164-220A	COVER, GEARBOX 3.00" OP, 9 BOLT	1
9	06147-903A	OIL CHECK COVER, PVC	1
10	10141-802A	BEARING, CUP 3.00" OD	2
11	06143-704A	DIAPHRAGM, RUBBER (STAMPED COVER)	1
14	06149-209C	GEAR, 775 50:1	1
15	10141-226A-NC	GUARD, SHAFT INPUT (HUBCAP)	1
16	10164-211A	HOUSING, 775	1
17	06142-801A	LUG NUT	8
18	06141-803A	PLUG, PIPE 1/2" NPT, BLK-OXIDE	2
19	06147-904A	HOUSING MOUNT HOLE PLUGS	13
20	10141-810A	RETAINING RING	1
21	10141-805A	SCREW, HEX HEAD FLANGE	17
22	04301-806A	SCREW, HX HD CAP	4
23	10164-721A	SEAL, OIL, DOUBLE LIP OUTPUT	1
24	10141-715A	SEAL, INPUT CARTRIDGE	2
25	10164-705A	SEAL SAVER 3" OUTPUT	1
26	06147-707A	SEAL SAVER, INPUT	2
27	10164-124B	SHAFT ASSEMBLY, OUTPUT	1
28	10141-206*	SHIM INPUT (VARIOUS SIZES)	A/R
29	10164-202*	SHIM OUTPUT (Various SIZES)	A/R
30	10164-204B	SHAFT SPACER	1
31	06147-802A	LOCK WASHER	4
32	10141-202D	WORM, 50:1, DCI	1
33	10140-805A	GEAR KEY	1

Note: For maintenance instructions visit UMC's website: www.umcproducts.com/en/sales-service/parts-maintenance/

UMC®TNT-2-U™ (50:1) Final Drive Gearbox



UMC® TNT-2-U™ (50:1) Final Drive Gearbox Bill of Materials

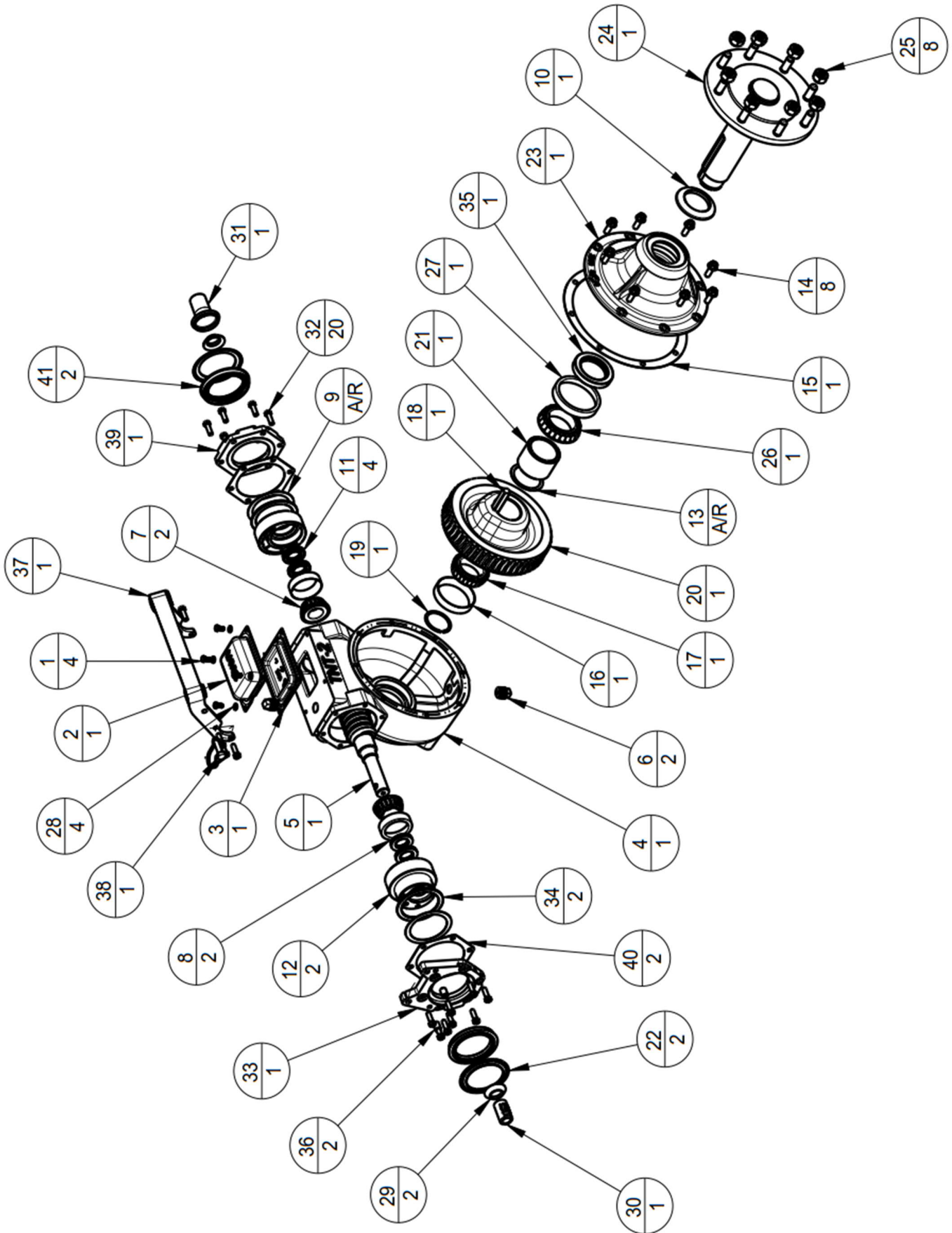
UMC® TNT-U™

10140-110A

Item	UMC Part Number	Description	QTY / ASSY
1	04301-806A	SCREW, HX HD CAP, 1/4-20 x .50" LG	4
2	10140-218A	COVER, TNT EXP CH (SS) UMC	1
3	06143-704A	DIAPHRAGM, RUBBER (STAMPED COVER)	1
4	10140-230A	HOUSING, 725 TNT-2, 50:1	1
5	10140-201A	WORM GEAR, TNT, 50:1	1
6	06141-803A	PLUG, PIPE 1/2" NPT, BLK OXIDE	2
7	06141-804A	BEARING, CONE 1.1875" ID	2
8	06141-805A	BEARING, CUP 2.5312" OD	2
9	10140-209*	SHIM, INPUT SHAFT (VARIOUS SIZES)	A/R
10	10141-705A	SEAL SAVER 2.25" SHAFT	1
11	06141-703A	SEAL, OIL, DOUBLE LIP	4
12	10140-231A	END CAP TNT-2	2
13	06145-203*	SHIM, OUTPUT (VARIOUS SIZES)	A/R
14	10141-805A	SCREW, HEX HEAD FLANGE	8
15	10141-702A	GASKET, COVER	1
16	06143-802A	BEARING, CUP 3.2500" OD	1
17	06141-806A	BEARING, CONE 2.0000" ID	1
18	06141-809A	GEAR KEY	1
19	06141-808A	RETAINING RING	1
20	06147-209A	GEAR 50:1	1
21	10140-235A	SPACER, TNT-2	1
22	10140-705A	COVER, DUST TNT-2	2
23	10740-220C	COVER, GEARBOX	1
24	10140-220A	SHAFT ASSY, TNT-2-U, 50:1	1
25	06142-801A	LUG NUT	8
26	06145-802A	BEARING, CONE 2.2500" ID	1
27	06145-801A	BEARING, CUP 3.8125" OD	1
28	06147-802A	LOCK WASHER	4
29	06147-707A	SEAL SAVER, INPUT	2
30	06147-903A	OIL CHECK COVER, PVC SHAFT	1
31	10141-226A	GUARD, SHAFT INPUT (HUBCAP)	1
32	10140-801A	SCREW, HX HD CAP, 5/16-18	20
33	10140-232A	END PLATE, STANDARD TNT	1
34	10140-208A	WASHER, BEARING TNT	2
35	10143-702A	SEAL, OIL TRIPLE LIP	1
36	10140-236A	STOP, HANDLE	1
37	10140-234A	HANDLE, TNT-2	1
38	10140-217A	PIN, LOCK	1
39	10140-233A	END PLATE, HEX TNT-2	1
40	10140-703A	GASKET, END PLATE TNT-2	2
41	10140-704A	SEAL, OIL	2

Note: For maintenance instructions visit UMC's website: www.umcproducts.com/en/sales-service/parts-maintenance/

UMC[®] TNT-2-U[™] Bronze (50:1) Final Drive Gearbox



UMC® TNT-2-U™ Bronze (50:1) Final Drive Gearbox Bill of Materials

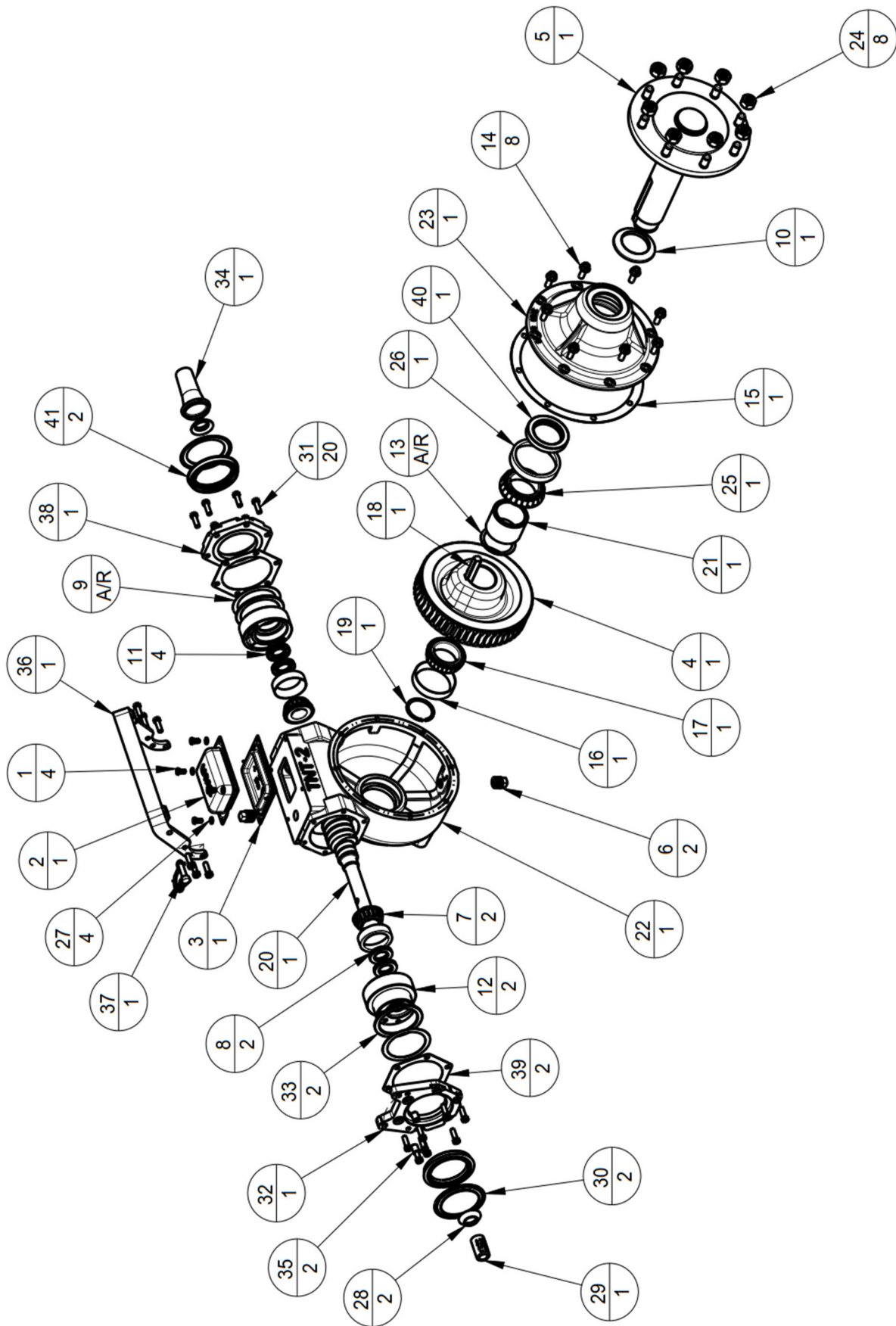
UMC® TNT-2-U™
Bronze

10140-110B

Item	UMC Part Number	Description	QTY / ASSY
1	04301-806A	SCREW, HX HD CAP, 1/4-20 x .50" LG	4
2	10140-218A	COVER, TNT EXP CH (SS) UMC	1
3	06143-704A	DIAPHRAGM, RUBBER (STAMPED COVER)	1
4	10140-230A	HOUSING, 725 TNT-2, 50:1	1
5	10140-201B	WORM GEAR, TNT, 50:1 HT	1
6	06141-803A	PLUG, PIPE 1/2" NPT, BLK OXIDE	2
7	06141-804A	BEARING, CONE 1.1875" ID	2
8	06141-805A	BEARING, CUP 2.5312" OD	2
9	10140-209*	SHIM, INPUT SHAFT (VARIOUS SIZES)	A/R
10	10141-705A	SEAL SAVER 2.25" SHAFT	1
11	06141-703A	SEAL, OIL, DOUBLE LIP	4
12	10140-231A	END CAP TNT-2	2
13	06145-203*	SHIM, OUTPUT (VARIOUS SIZES)	A/R
14	10141-805A	SCREW, HEX HEAD FLANGE	8
15	10141-702A	GASKET, COVER	1
16	06143-802A	BEARING, CUP 3.2500" OD	1
17	06141-806A	BEARING, CONE 2.0000" ID	1
18	06141-809A	GEAR KEY	1
19	06141-808A	RETAINING RING	1
20	10141-225B	GEAR 50:1 BRONZE	1
21	10140-235A	SPACER, TNT-2	1
22	10140-705A	COVER, DUST TNT-2	2
23	10740-220C	COVER, GEARBOX	1
24	10140-220A	SHAFT ASSY, TNT-2-U, 50:1	1
25	06142-801A	LUG NUT	8
26	06145-802A	BEARING, CONE 2.2500" ID	1
27	06145-801A	BEARING, CUP 3.8125" OD	1
28	06147-802A	LOCK WASHER	4
29	06147-707A	SEAL SAVER, INPUT	2
30	06147-903A	OIL CHECK COVER, PVC SHAFT	1
31	10141-226A	GUARD, SHAFT INPUT (HUBCAP)	1
32	10140-801A	SCREW, HX HD CAP, 5/16-18	20
33	10140-232A	END PLATE, STANDARD TNT	1
34	10140-208A	WASHER, BEARING TNT	2
35	10143-702A	SEAL, OIL TRIPLE LIP	1
36	10140-236A	STOP, HANDLE	1
37	10140-234A	HANDLE, TNT-2	1
38	10140-217A	PIN, LOCK	1
39	10140-233A	END PLATE, HEX TNT-2	1
40	10140-703A	GASKET, END PLATE TNT-2	2
41	10140-704A	SEAL, OIL	2

Note: For maintenance instructions visit UMC's website: www.umcproducts.com/en/sales-service/parts-maintenance/

UMC® TNT-2-UV™ (52:1) Final Drive Gearbox



UMC® TNT-2-UV™ (52:1) Final Drive Gearbox Bill of Materials

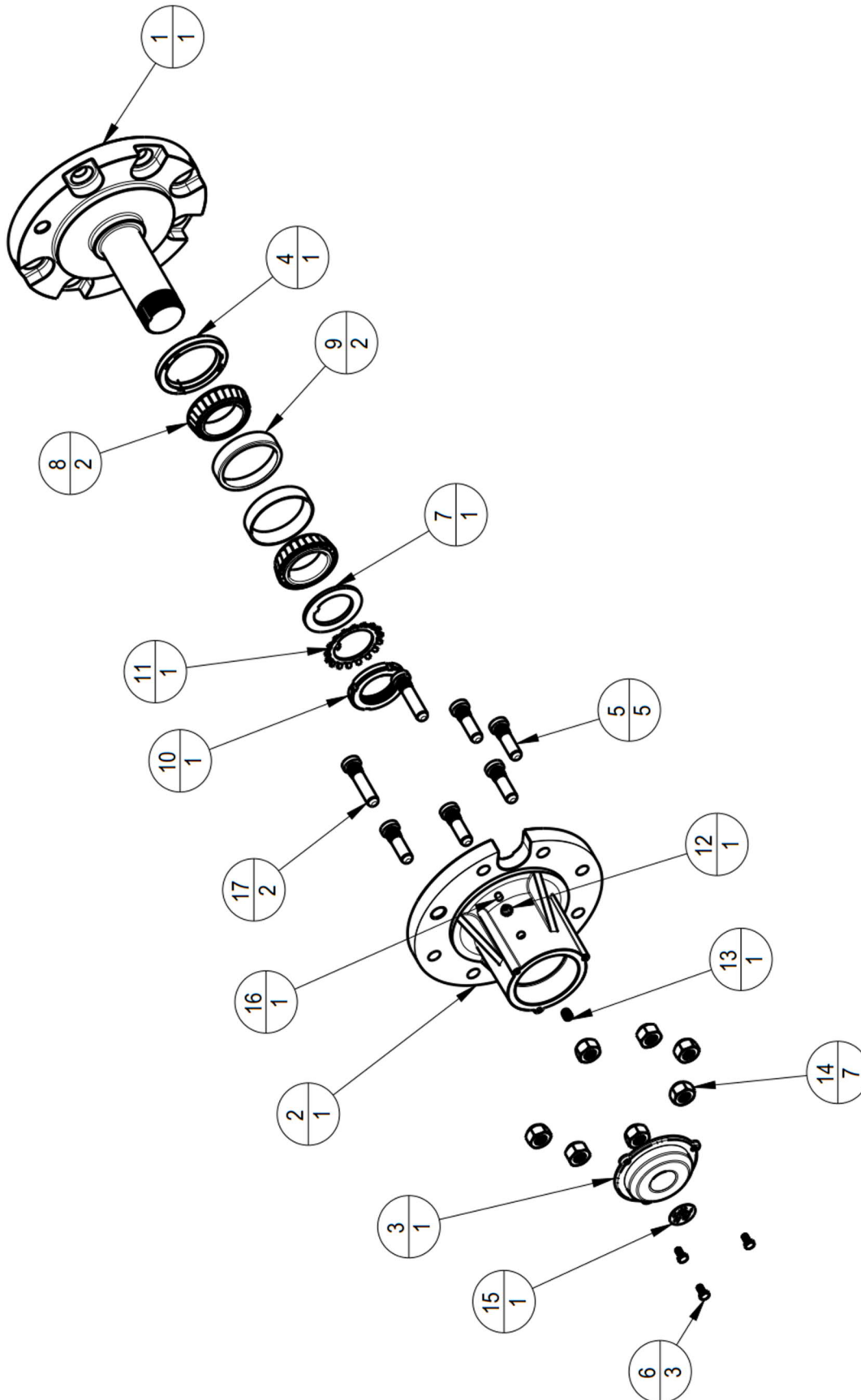
UMC® TNT-2-UV™

10140-116A

Item	UMC Part Number	Description	QTY / ASSY
1	04301-806A	SCREW, HX HD CAP, 1/4-20 x .50" LG	4
2	10140-218A	COVER, TNT EXP CH (SS) UMC	1
3	06143-704A	DIAPHRAGM, RUBBER (STAMPED COVER)	1
4	06147-206A	GEAR 52:1	1
5	10140-112A	SHAFT ASSY, TNT-2 UV 52:1	1
6	06141-803A	PLUG, PIPE 1/2" NPT, BLK OXIDE	2
7	06141-804A	BEARING, CONE 1.1875" ID	2
8	06141-805A	BEARING, CUP 2.5312" OD	2
9	10140-209*	SHIM, INPUT SHAFT (VARIOUS SIZES)	A/R
10	10141-705A	SEAL SAVER 2.25" SHAFT	1
11	06141-703A	SEAL, OIL, DOUBLE LIP	4
12	10140-231A	END CAP TNT-2	2
13	06145-203*	SHIM, OUTPUT (VARIOUS SIZES)	A/R
14	10141-805A	SCREW, HEX HEAD FLANGE	8
15	10141-702A	GASKET, COVER	1
16	06143-802A	BEARING, CUP 3.2500" OD	1
17	06141-806A	BEARING, CONE 2.0000" ID	1
18	06141-809A	GEAR KEY	1
19	06141-808A	RETAINING RING	1
20	10140-214D	WORM, TNT-2-UV 52:1	1
21	10140-235A	SPACER, TNT-2	1
22	10140-230D	HOUSING, TNT-2, 52:1	1
23	10740-220C	COVER, GEARBOX	1
24	06142-801A	LUG NUT	8
25	06145-802A	BEARING, CONE 2.2500" ID	1
26	06145-801A	BEARING, CUP 3.8125" OD	1
27	06147-802A	LOCK WASHER	4
28	06147-707A	SEAL SAVER, INPUT	2
29	06147-903A	OIL CHECK COVER, PVC SHAFT	1
30	10140-705A	COVER, DUST TNT-2	2
31	10140-801A	SCREW, HX HD CAP	20
32	10140-232A	END PLATE, STANDARD TNT	1
33	10140-208A	WASHER, BEARING TNT	2
34	10141-226B	GUARD, SHAFT INPUT (HUBCAP)	1
35	10140-234A	SCREW, HX HD CAP	20
36	10140-234A	HANDLE, TNT-2	1
37	10140-217A	PIN, LOCK	1
38	10140-233A	END PLATE, HEX TNT-2	1
39	10140-703A	GASKET, END PLATE TNT-2	2
40	10143-702A	SEAL, OIL TRIPLE LIP	1
41	10140-704A	SEAL, OIL	2

Note: For maintenance instructions visit UMC's website: www.umcproducts.com/en/sales-service/parts-maintenance/

UMC[®] BT4-B[™] Tow Hub Assembly

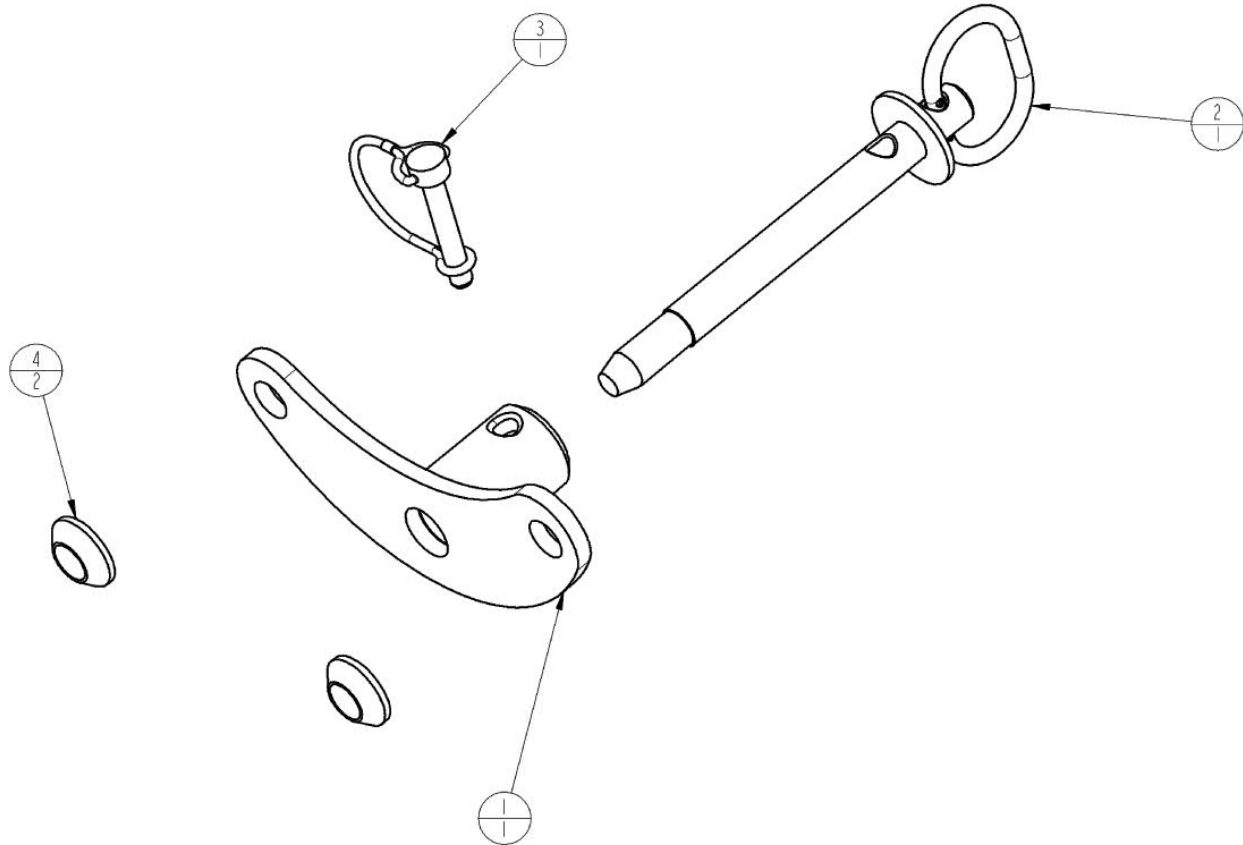


Note: Pin and Bracket Assembly sold separately.

UMC® BT4B™ Tow Hub Bill of Materials			UMC® BT4-B™
			04301-114A
Item	UMC Part Number	Description	QTY / ASSY
1	04301-211A	SHAFT	1
2	04301-212A	HUB	1
3	04301-203A	HUB CAP	1
4	04301-701A	SEAL	1
5	04300-802B	RIBBED NECK CARRIAGE BOLT 9/16-18 X 2 GR5	5
6	04301-806A	HUB CAP SCREW	3
7	04301-807B	TOUNGED WASHER	1
8	06141-806A	BEARING CONE	2
9	06143-802A	BEARING CUP	2
10	04301-801A	BEARING LOCK NUT	1
11	04301-802B	LOCK TAB WASHER	1
12	04301-803A	LUBE FITTING	1
13	06140-702A	RELEIF FITTING	1
14	06142-801A	LUG NUT	7
15	04301-901A	"GREASE FILL" DECAL	1
16	04301-902A	LUBE FITTING RED CAP	1
17	04300-802C	RIBBED NECK CARRIAGE BOLT 9/16-18 X 2.5 GR5	2

Note: For maintenance instructions visit UMC's website: www.umcproducts.com/en/sales-service/parts-maintenance/

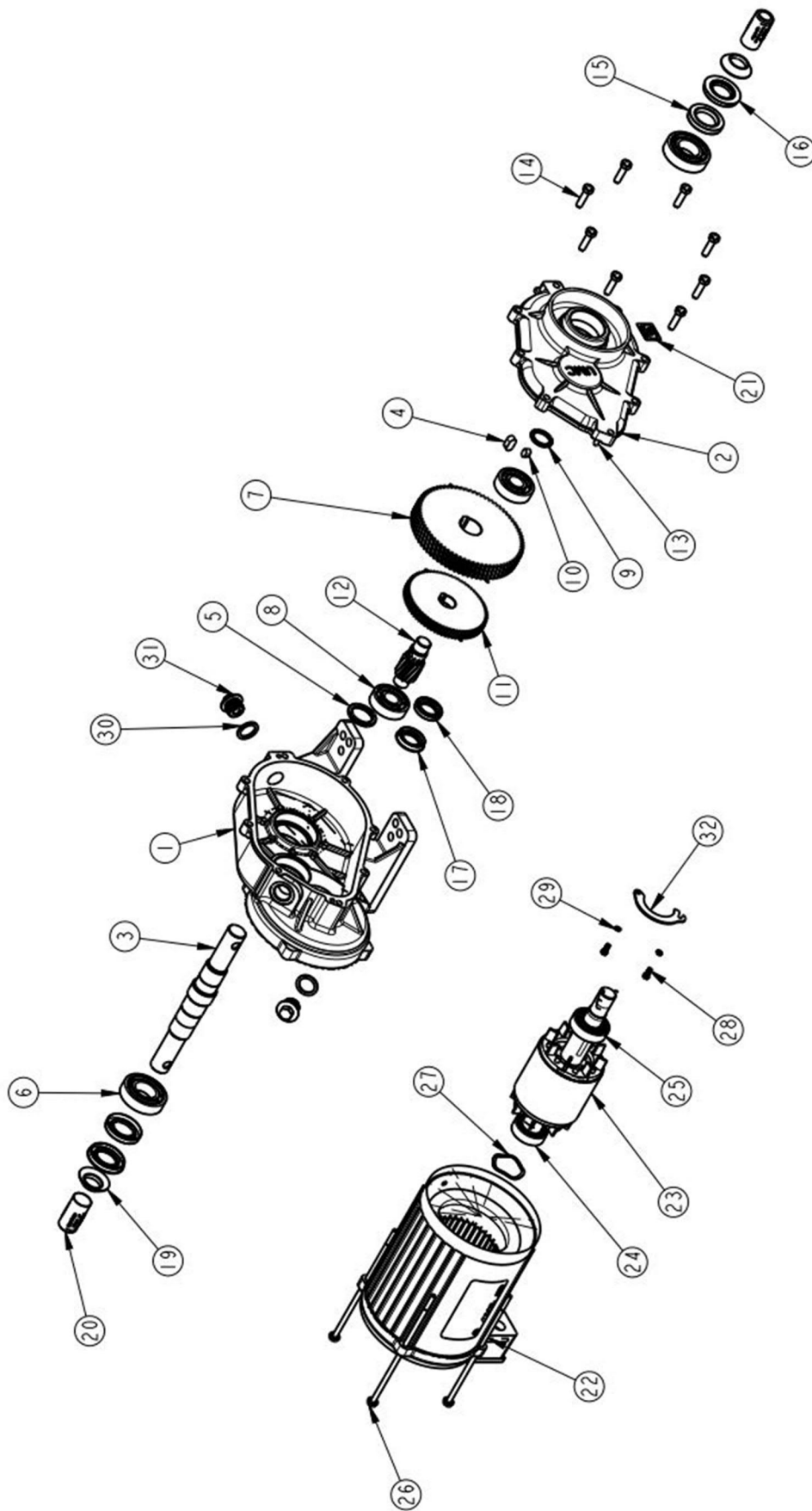
UMC® BT4B™ Tow Hub Pin & Bracket



UMC® BT4-B™ Tow Hub Pin & Bracket Bill of Materials			UMC® BT4-B™ Pin & Bracket
			04041-102A
Item	UMC Part Number	Description	QTY / ASSY
1	04040-401A	CRESENT BRACKET WELDMENT	1
2	04041-203A	PIN ASSY (STEPPED - 5/8" DIA - 6")	1
3	04041-204A	LOCKING PIN	1
4	04300-805A	RIM CONE SPACER	2

Note: For maintenance instructions visit UMC's website: www.umcproducts.com/en/sales-service/parts-maintenance/

UMC® Power Saver® 3.5 Center Drive

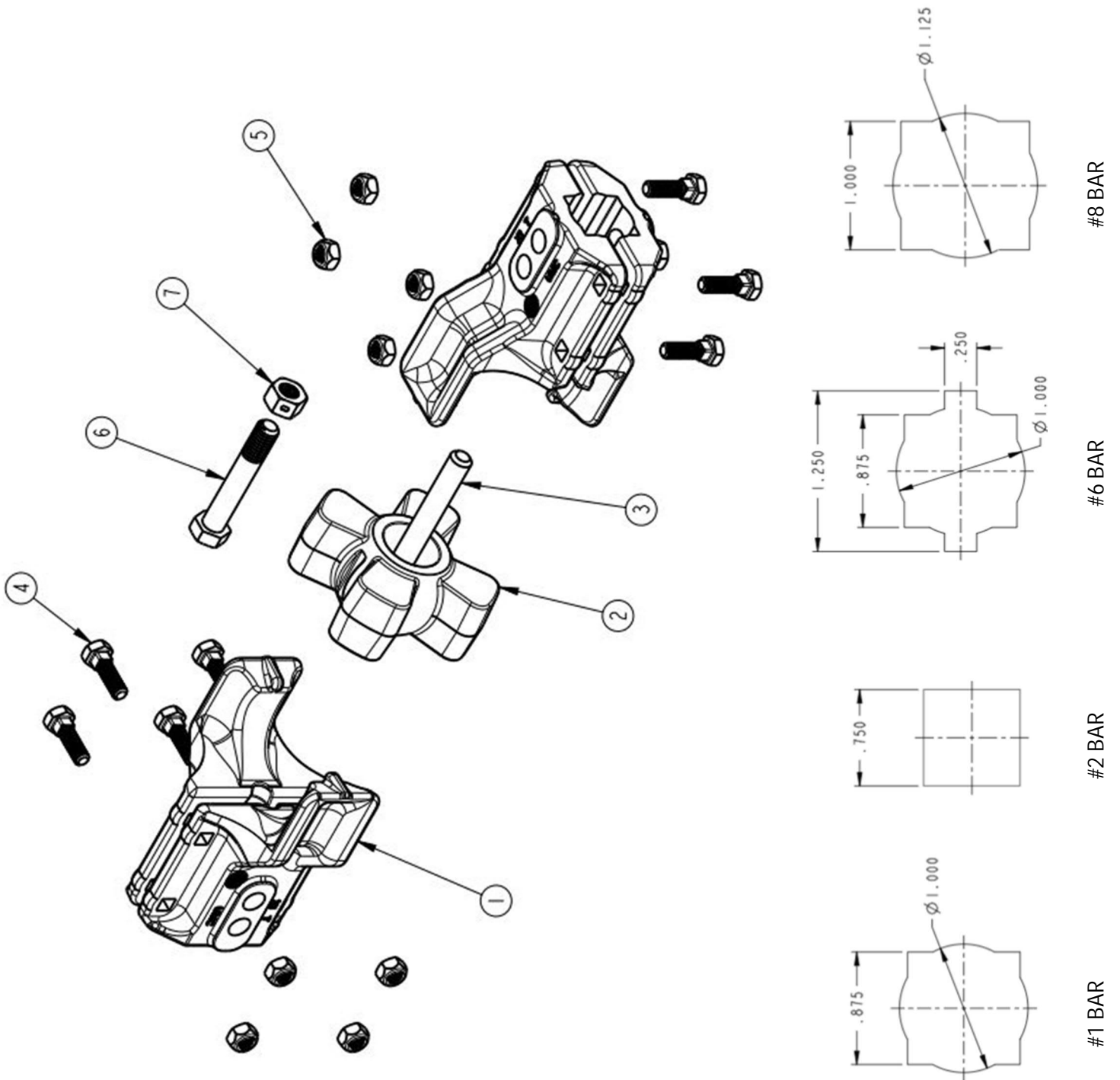


UMC Power Saver 3.5 Replacement Stator Kits		Description		20:1 - 1.6HP		30:1 - 1.6HP		40:1 - 1.6HP		30:1 - 1.5HP		25:1 - 1.5HP		20:1 - 1.5HP		30:1 - 1.5HP		25:1 - 1.5HP		20:1 - 1.5HP		60:1 - 0.75HP		50:1 - 0.75HP		40:1 - 0.75HP		
Item	UMC Part Number	Description	INV.	DUTY	QTY	ASSY	INV.	DUTY	QTY	ASSY	QTY	ASSY	QTY	ASSY	QTY	ASSY	QTY	ASSY	QTY	ASSY	QTY	ASSY	QTY	ASSY	QTY	ASSY	QTY	ASSY
22	06168-650C-L	STATOR, KIT, PS 3.5, 1.75HP GENERIC	-	-	-	-	-	-	-	-	-	-	-	-	-	-	-	-	-	-	-	-	-	-	-	-	-	-
22	06168-650D-L	STATOR, KIT, PS 3.5, 1.5HP GENERIC	-	-	-	-	-	-	-	-	-	-	-	-	-	-	-	-	-	-	-	-	-	-	-	-	-	-
22	06168-650E-L	STATOR, KIT, PS 3.5, 1.5HP PEM/GENERIC	-	-	-	-	-	-	-	-	-	-	-	-	-	-	-	-	-	-	-	-	-	-	-	-	-	-
22	06167-610A-L	STATOR, KIT, PS 3.5, 1.75HP INV/DUTY/GENERIC	-	-	-	-	-	-	-	-	-	-	-	-	-	-	-	-	-	-	-	-	-	-	-	-	-	-

UMC® Power Saver® 3.5 Bill of Materials		Description															
Item	UMC Part Number	40:1 - 0.75HP	50:1 - 0.75HP	60:1 - 0.75HP	20:1 - 1.5HP	25:1 - 1.5HP	30:1 - 1.5HP	20:1 - 1.5HP	25:1 - 1.5HP	30:1 - 1.5HP	40:1 - 1.6HP	30:1 - 1.6HP	20:1 - 1.6HP				
		QTY / ASSY	QTY / ASSY	QTY / ASSY	QTY / ASSY	QTY / ASSY	QTY / ASSY	QTY / ASSY	QTY / ASSY	QTY / ASSY	QTY / ASSY	QTY / ASSY	QTY / ASSY				
		06168-101A	06168-101H	06168-101C	06168-101D	06168-101E	06168-101F-E	06168-101D-E	06168-101F-E	06168-101B-E	06167-101A	06167-101B	06167-101D				
1	06168-201A	1	1	1	1	1	1	1	1	1	1	1	1				
2	06168-202A	1	1	1	1	1	1	1	1	1	1	1	1				
3	06168-203A	1	1	1	1	1	1	1	1	1	1	1	1				
4	06168-802A	1	1	1	1	1	1	1	1	1	1	1	1				
5	06168-806A	1	1	1	1	1	1	1	1	1	1	1	1				
6	07530-801A	2	2	2	2	2	2	2	2	2	2	2	2				
7	06168-204A	1	1	1	1	1	1	1	1	1	1	1	1				
7	06168-213A	-	-	-	-	-	-	-	-	-	-	-	-				
7	06168-206A	-	-	-	-	-	-	-	-	-	-	-	-				
7	06168-215A	-	-	-	-	-	-	-	-	-	-	-	-				
7	06168-205A	-	-	-	-	-	-	-	-	-	-	-	-				
8	06165-804A	2	2	2	2	2	2	2	2	2	2	2	2				
9	06168-805A	1	1	1	1	1	1	1	1	1	1	1	1				
10	06168-803A	1	1	1	1	1	1	1	1	1	1	1	1				
11	06168-210A	1	1	1	1	1	1	1	1	1	1	1	1				
11	06168-211A	-	-	-	-	-	-	-	-	-	-	-	-				
11	06168-212A	-	-	-	-	-	-	-	-	-	-	-	-				
12	06168-207A	1	1	1	1	1	1	1	1	1	1	1	1				
12	06168-214A	-	-	-	-	-	-	-	-	-	-	-	-				
12	06168-209A	-	-	-	-	-	-	-	-	-	-	-	-				
12	06168-216A	-	-	-	-	-	-	-	-	-	-	-	-				
12	06168-208A	-	-	-	-	-	-	-	-	-	-	-	-				
13	06168-809A	2	2	2	2	2	2	2	2	2	2	2	2				
14	06160-807A	8	8	8	8	8	8	8	8	8	8	8	8				
15	06168-705D	2	2	2	2	2	2	2	2	2	2	2	2				
16	06168-705B	2	2	2	2	2	2	2	2	2	2	2	2				
17	06160-710D	1	1	1	1	1	1	1	1	1	1	1	1				
18	06160-710E	1	1	1	1	1	1	1	1	1	1	1	1				
19	06147-707A	2	2	2	2	2	2	2	2	2	2	2	2				
20	06147-903A	2	2	2	2	2	2	2	2	2	2	2	2				
21	06168-716*	1	1	1	1	1	1	1	1	1	1	1	1				
22	06168-690C	1	1	1	1	1	1	1	1	1	1	1	1				
22	06168-650D	-	-	-	-	-	-	-	-	-	-	-	-				
22	06168-650E	-	-	-	-	-	-	-	-	-	-	-	-				
22	06167-610A	-	-	-	-	-	-	-	-	-	-	-	-				
23	06168-653A	1	1	1	1	1	1	1	1	1	1	1	1				
23	06168-653H	-	-	-	-	-	-	-	-	-	-	-	-				
23	06168-653Q	-	-	-	-	-	-	-	-	-	-	-	-				
23	06168-653B	-	-	-	-	-	-	-	-	-	-	-	-				
23	06168-653B-E	-	-	-	-	-	-	-	-	-	-	-	-				
23	06167-603A	-	-	-	-	-	-	-	-	-	-	-	-				
24	06150-809B	1	1	1	1	1	1	1	1	1	1	1	1				
25	06150-808C	1	1	1	1	1	1	1	1	1	1	1	1				
26	06168-818B	4	4	4	4	4	4	4	4	4	4	4	4				
27	06168-814A	1	1	1	1	1	1	1	1	1	1	1	1				
28	06168-820A	2	2	2	2	2	2	2	2	2	2	2	2				
29	06168-817A	2	2	2	2	2	2	2	2	2	2	2	2				
30	06168-735B	2	2	2	2	2	2	2	2	2	2	2	2				
31	06168-235A	2	2	2	2	2	2	2	2	2	2	2	2				
32	06168-902D	1	1	1	1	1	1	1	1	1	1	1	1				

Note: For maintenance instructions visit the UMC website: www.umcproducts.com/en/sales-service/parts-maintenance/

UMC[®] Standard Coupler

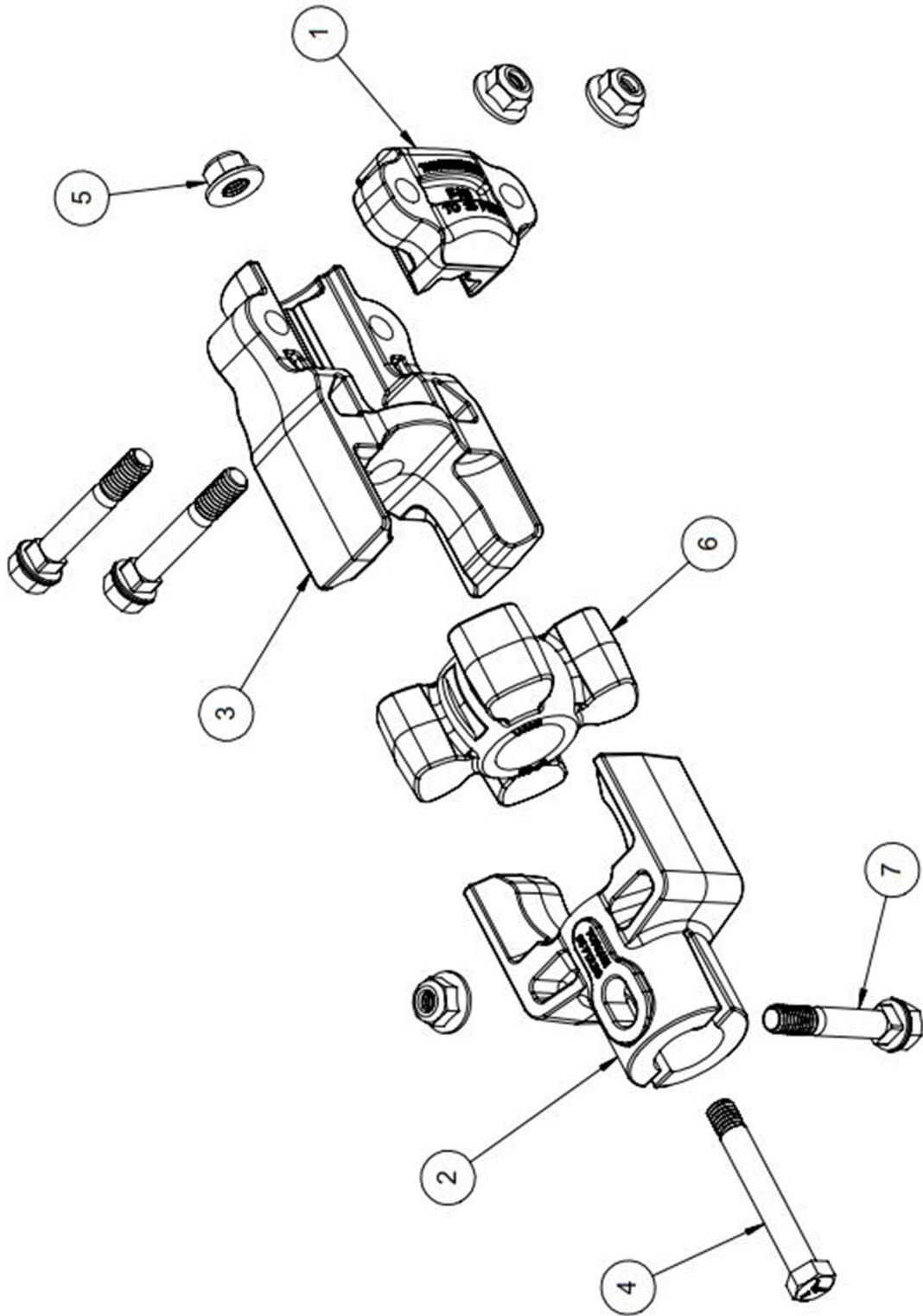


UMC® Standard Coupler Bill of Materials			UMC Standard Coupler			
			01355-121M	01355-121P	01355-121I	01355-121J
Item	UMC Part Number	Description	QTY / ASSY	QTY / ASSY	QTY / ASSY	QTY / ASSY
3, 4, 5, 6 & 7	01352-104C	STANDARD COUPLER BOLT KIT	1	1	1	1
1	01355-301A	LOAD ARM, 1" RND X 7/8" SQ, #1 BAR	4	0	0	2
1	01355-301E	LOAD ARM, 1" RND X 7/8" SQ KEY, #6 BAR	0	2	0	0
1	01355-301B	LOAD ARM, 3/4" SQ, #2 BAR	0	2	0	0
1	01355-301R	LOAD ARM, 1-1/8" RND X 1" SQ, #8 BAR	0	0	4	2
2	06550-704D	PUCK, HI-TOE-ROD TYPE NO GROOVES	0	0	1	0
2	06550-704C	PUCK, HI-TOE-ROD TYPE WITH GROOVES	1	1	0	1

UMC® Standard Coupler Bolt Kit			UMC® Standard Coupler Bolt Kit
Note: Bolt kit components are not sold individually.			01352-104C
Item	UMC Part Number	Description	QTY / ASSY
3	01355-201A	ROD, COUPLER 3/8"	1
4	01355-801A	SCREW, HX HD SQ NECK	8
5	03570-804A	NUT, HEX CENTERLOCK	1
6	01350-801A	SCREW, HX HD LG SHANK	1
7	01352-802A	NUT, HX LOCK TOP CRIMP	8

Note: For installation instructions visit UMC's website: www.umcproducts.com/wp-content/uploads/2018/12/ISO-Controlled-Document-Form-WKI-75-01355-STND-INSTALL-UMC-Standard-Coupler-Installation-Manual-RevA.pdf

UMC® Universal CX™ Coupler



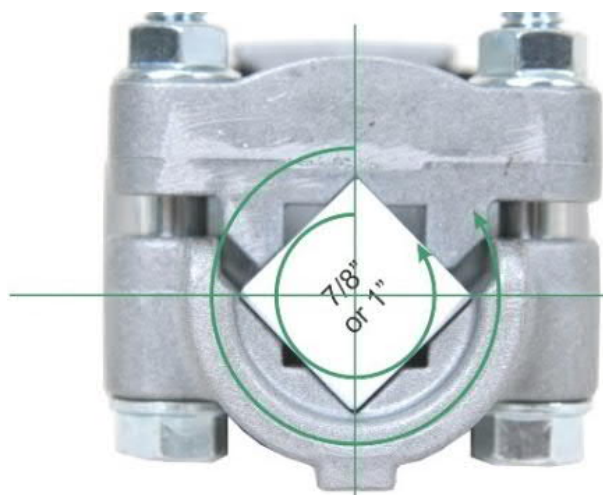
UMC® Universal CX™ Coupler Bill of Materials

UMC® Universal CX™ Coupler Bill of Materials			UMC® CX™ Coupler
			01355-133A
Item	UMC Part Number	Description	QTY / ASSY
1	01355-336A	DRIVE SHAFT SADDLE	1
2	01355-338A	LOAD ARM, 1" DIA ROUND SHAFT	1
3	01355-342A	LOAD ARM, DRIVE SHAFT	1
4	01355-806A	BOLT, HX HD 3/8-16X2 .75LG, GR-5 ZN	1
5	01355-809A	3/8-16 HEX LOCKNUT, NYLON INSERT	4
6	06550-704C	PUCK, HI-TQE-ROD TYPE WITH GROOVES	1
7	51206-036A	BOLT, HX HD FLNG SQ NECK 3/8-16X2 .25LG, GR-5 ZN	3

UMC® Universal CX™ Coupler Bolt Kit

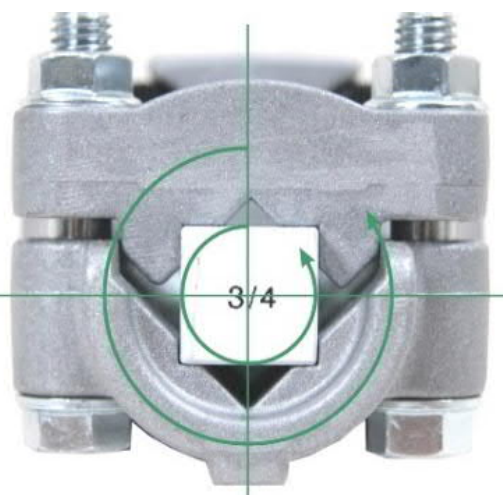
Note: Bolt kit components are not sold individually.

UMC® Universal CX™ Coupler Bolt Kit			UMC® CX™ Coupler Bolt Kit
			01352-133C
Item	UMC Part Number	Description	QTY / ASSY
7	51206-036A	BOLT, HX HD FLNG SQ NECK 3/8-16X2. 25LH, GR-5 ZN	3
4	01355-806A	BOLT, HX HD 3/8 - 16X2. 75LG, GR-5 ZN	1
5	01355-809A	3/8-16 HEX LOCKNUT, NYLON-INSERT	4



Correct Installation for 7/8", 1" or 20 mm Shaft

The correct shaft position for 7/8", 1" or 20 mm shaft is positioned diagonally in the coupler clamp. Tighten both bolts evenly to ensure even hold.



Correct Installation for 3/4" Shaft

The Correct Shaft position for 3/4" shaft is positioned horizontally in the coupler clamp. Tighten both bolts evenly to ensure even hold.

Note: For installation instructions visit UMC's website: www.umcproducts.com/wp-content/uploads/2018/02/ISO-Controlled-Documents-WKI-75-01355-INSTALL-UMC-CX-Coupler-Installation-Manual.pdf